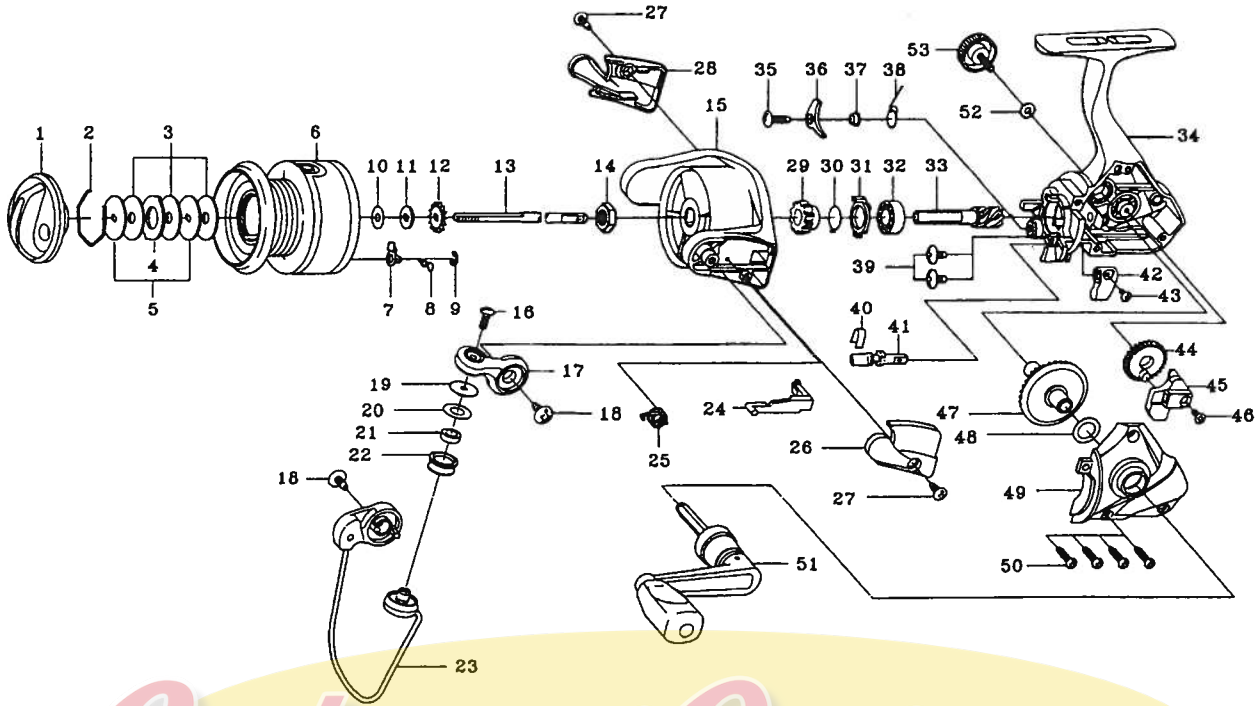


SPINNING REEL

SPINSTAR-X2500C



Key No.	Parts No.	Parts Name	Key No.	Parts No.	Parts Name
2-9	G04-9801	SPOOL	28	F31-0407	BAIL HOLDER COVER
1	F32-2107	DRAG KNOB	29	F31-1502	A/R RATCHET
2	171-7701	DRAG WASHER RET	30	F19-6301	A/R PAWL SPRING B
3	E13-6003	DRAG WASHER	31	F19-6201	A/R COLLAR
4	373-3603	EARED WASHER	32	L03-6601	BALL BEARING
5	E46-7201	KEY WASHER	33	E51-9801	PINION GEAR
7	B07-5304	CLICK PAWL	34	G04-9601	BODY
8	E40-3101	CLICK SPRING	35	L00-1801	A/R PAWL SCREW
9	320-5901	CLICK RET	36	F19-5301	A/R PAWL
10	E39-8000	SPOOL WASHER A	37	L01-4302	A/R PAWL COLLAR
11	E46-7101	SPOOL WASHER B	38	L00-1501	A/R PAWL SPRING A
12	270-6501	CLICK GEAR	39	E03-7801	BEARING RET SCREW
13	F99-0601	MAIN SHAFT	40	F19-5201	A/R CAM SPRING
14	341-9201	ROTOR NUT	41	F98-9301	A/R CAM
15	F31-1407	ROTOR	42	F98-9202	A/R LEVER
16	B67-9304	LINE ROLLER SCREW	43	F98-9401	A/R LEVER SCREW
17	F61-9203	BAIL ARM	44	F67-7401	OSC GEAR
18	B84-2102	BAIL HOLDER SCREW	45	F98-9601	OSC SLIDER
19	F44-6302	ROLLER COLLAR	46	351-0315	OSC SLIDER SCREW
20	F44-6202	LINE ROLLER WASHER	47	F17-0001	DRIVE GEAR
21	F47-3401	LINE ROLLER BUSHING	48	373-7808	DRIVE GEAR WASHER
22	F47-2402	LINE ROLLER	49	F99-0802	SIDE COVER
23	F99-1602	BAIL	50	E15-8602	SIDE COVER SCREW
24	E45-1601	BAIL TRIP LEVER	51	G04-9701	HANDLE
25	F12-8901	BAIL SPRING	52	F02-0201	HANDLE WASHER
26	F31-0327	BAIL SPRING COVER	53	B92-5012	HANDLE SCREW
27	E36-4202	BAIL HOLDER COVER SCREW			