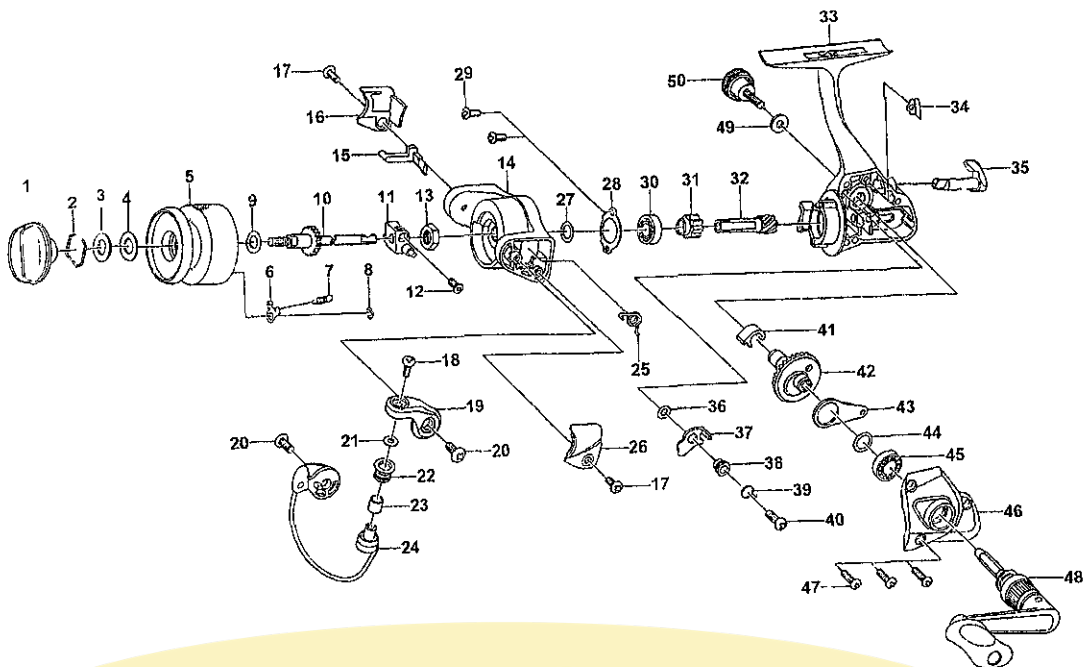


SPINMATIC-X500T



Key No.	Parts No.	Parts Name	Key No.	Parts No.	Parts Name
2-8	F66-8801	SPOOL	26	F66-5302	BAIL SPRING COVER
1	F66-9001	DRAG KNOB	27	B12-8701	ROTOR WASHER
2	F66-7901	DRAG WASHER RET	28	F66-5001	BEARING RET
3	F66-7801	KEY WASHER	29	B96-7601	BEARING RET SCREW
4	F66-7701	DRAG WASHER	30	E18-2801	BALL BEARING A
6	F66-7601	CLICK PAWL	31	F66-4901	A/R RATCHET
7	144-1211	CLICK SPRING	32	F66-4801	PINION GEAR
8	B86-4101	CLICK RET	33	F66-8401	BODY
9	F66-7001	SPOOL WASHER	34	F66-4501	A/R CAM SPRING
10	F66-6401	MAIN SHAFT	35	F66-4401	A/R LEVER
11	E32-0601	OSC SUPPORT	36	E15-3101	A/R PAWL WASHER
12	E15-0203	OSC SUPPORT SCREW	37	F66-4601	A/R PAWL
13	342-4001	ROTOR NUT	38	E03-3001	A/R PAWL COLLAR
14	F66-5102	ROTOR	39	F66-4701	A/R PAWL SPRING
15	F66-5501	BAIL TRIP LEVER	40	B00-8601	A/R PAWL SCREW
16	F66-5602	BAIL TRIP COVER	41	F66-6201	A/R PAWL SPRING B
17	F66-5401	BAIL TRIP COVER SCREW	42	F66-6101	DRIVE GEAR
18	352-2501	LINE ROLLER SCREW	43	F66-6501	OSC SLIDER
19	F66-5202	BAIL ARM	44	375-8502	DRIVE GEAR WASHER
20	351-6101	BAIL HOLDER SCREW	45	637-5701	BALL BEARING B
21	B55-4301	LINE ROLLER WASHER	46	F66-6602	SIDE COVER
22	F66-6001	LINE ROLLER	47	E13-0501	SIDE COVER SCREW
23	B45-1501	LINE ROLLER COLLAR	48	F66-8601	HANDLE
24	F66-5702	BAIL	49	F02-0201	HANDLE LOCK WASHER
25	E32-0201	BAIL SPRING	50	E03-5504	HANDLE LOCK SCREW