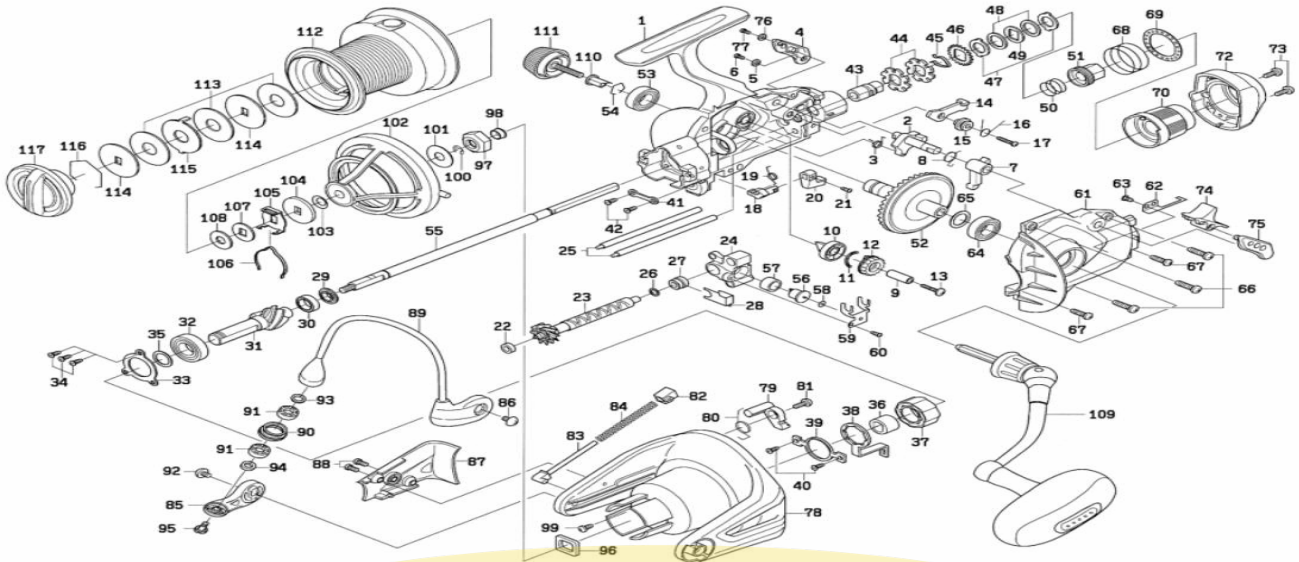


Please order by parts number, not key number
 Veuillez indiquer le numéro de la pièce (Non "Key" No.)



SEALINE BLACK 4500BRi/5500BRi



Key No.	Parts No.	Parts Name	Key No.	Parts No.	Parts Name
1	H21-2301	Body	61	H04-7703	Side Cover
2	H04-3501	Clutch Cam (A)	62	H04-7801	Click Pawl
3	H04-3601	Clutch Cam Spring (A)	63	H04-7901	Screw (I)
4	H04-3702	Clutch Lever (A)	64	G52-2801	Sail Bearing (E)
5	G09-3801	Washer (A)	65	371-2800	Washer (E)
6	351-7801	Screw (A)	66	H05-9202	Screw (J)
7	H04-3801	Clutch Cam (B)	67	H05-9301	Screw (K)
8	H04-3901	Clutch Cam Spring (B)	68	H04-8001	Drag Click Spring
9	H04-4001	Collar (A)	69	H04-8101	Drag Click Plate
10	H04-4101	Clutch Cam (C)	70	H12-5501	Drag Knob (A)
11	H04-4201	Clutch Cam Spring (C)	72	H04-8402	Rear Cover
12	H04-4301	Gear	73	H04-8501	Screw (L)
13	H04-4401	Screw (B)	74	H13-6802	Clutch Lever Bridge
14	H04-4501	Clutch Plate	75	H04-8702	Clutch Lever (B)
15	H04-4601	Collar (B)	76	G09-3801	Washer (F)
16	H04-4701	Clutch Plate Spring	77	351-7801	Screw (M)
17	351-5901	Screw (C)	78	H04-8902	Rotor
18	H04-4801	Anti-Reverse Cam	79	H04-9001	Bail Trip Lever
19	H07-7901	Anti-Reverse Cam Spring	80	H04-9101	Bail Trip Lever Spring
20	H04-5002	Anti-Reverse Lever	81	H04-9201	Screw (N)
21	G69-9501	Screw (D)	82	G09-1801	Bail Spring Holder
22	G40-0301	Collar (F)	83	H20-3901	Bail Spring Shaft
23	H04-5101	Worm Shaft	84	H15-3401	Bail Spring
24	H04-5401	Oscillating Stider	85	H04-9302	Bail Arm
25	H04-5601	Guide Shaft	86	G45-5601	Screw (O)
26	B41-1700	Washer (B)	87	H04-9402	Cover (A)
27	G38-9901	Collar (C)	88	G20-5101	Screw (P)
28	H04-5701	Worm Shaft Retainer	89	H21-2601	Bail Assembly
29	H04-4901	Collar (D)	90	G74-0402	Line Roller
30	C43-1002	Ball Bearing (B)	91	H03-5501	Collar (G)
31	H04-5801	Pinion Gear	92	G45-5602	Screw (S)
32	G47-2501	Ball Bearing (C)	93	E09-6500	Washer (G)
33	H04-5901	Bearing Retainer (A)	94	H04-9901	Collar (H)
34	H06-6501	Screw (E)	95	F60-8902	Screw (Q)
35	G10-6501	Washer (C)	96	G39-2201	Rotor Nut Holding Plate
36	G08-8201	Spacing Sleeve	97	H05-0001	Rotor Nut
37	G31-4501	Roller Clutch	98	H05-0101	Collar (I)
38	H04-6001	Anti-Reverse Plate	99	G17-1402	Screw (R)
39	H04-6101	Roller Clutch Retainer (A)	100	320-1611	Line Guard Retainer
40	H06-6501	Screw (F)	101	G40-8301	Washer (H)
41	H04-6201	Roller Clutch Retainer (B)	102	H21-2701	Line Guard
42	H06-6501	Screw (G)	103	G87-8201	Line Guard Spring Washer
43	H04-6301	Tension Shaft	104	H05-0401	Washer (I)
44	H04-6401	Clutch Ratchet	105	H05-0601	Click Leal Spring Holder
45	H12-9001	Tension Shaft Spring	106	F70-4902	Spool Click Leaf Spring
46	H04-6601	Click Plate	107	F04-3402	Washer (J)
47	H04-6701	Eared Washer (A)	108	E39-9200	Washer (K)
48	H04-6801	Drag Washer (A)	109	H21-2801	Handle Assembly
49	H04-6901	Key Washer (A)	110	F40-9001	Collar (J)
50	H05-9101	Tension Spring	111	H05-1302	Handle Screw
51	H04-7001	Tension Metal	112-116	H21-2901	Spool Assembly
52	H04-7101	Drive Gear	113	F75-5501	Drag Washer (B)
53	G52-2801	Ball Bearing (D)	114	F88-1702	Key Washer (B)
54	H04-7201	Bearing Retainer (B)	115	F75-5701	Eared Washer (B)
55	H04-7301	Main Shaft	116	F88-4001	Drag Washer Retainer
56	G73-9001	Oscillating Pawl	117	H09-0001	Drag Knob (B)
57	H04-7401	Collar (E)			
58	375-0800	Washer (D)			
59	H04-7501	Oscillating Pawl Retainer			
60	G69-9501	Screw (H)			

SEALINE BLACK 5500BRi SPECIAL PARTS

Key No.	Parts No.	Parts Name
112-116	H21-3101	Spool Assembly