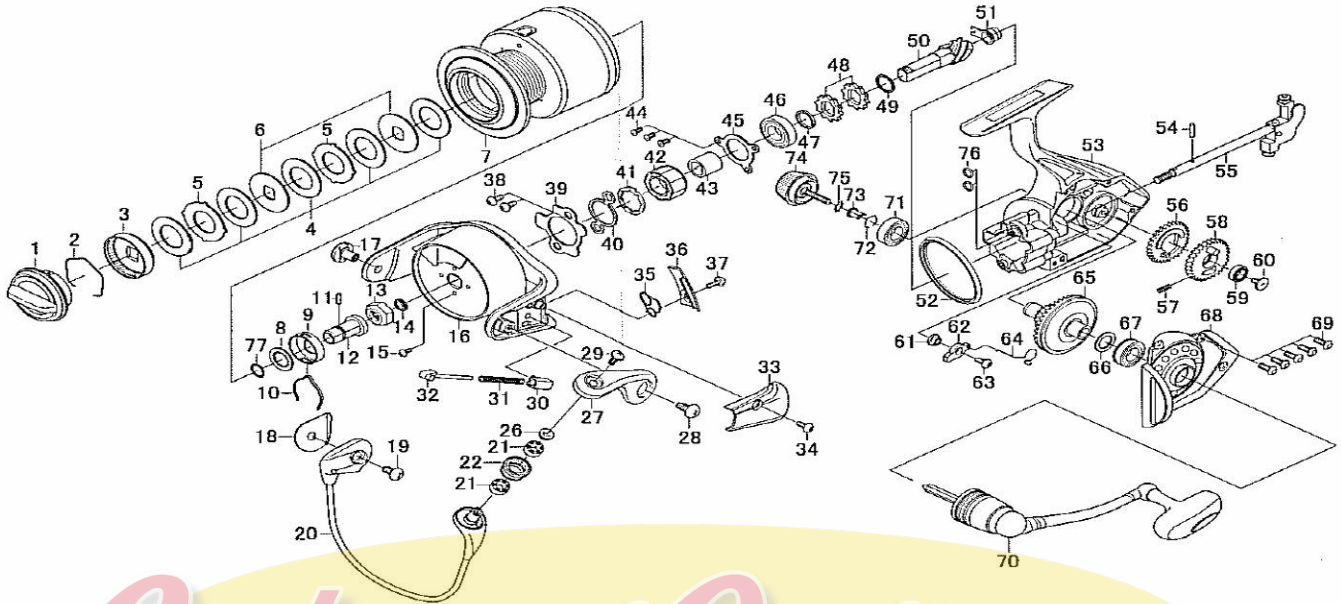


Please order by parts number, not key number
 Veuillez indiquer le numéro de la pièce (Non "Key" No.)



SALTIST 5000H/6000H/6500H



Key No.	Part No.	Parts Name	Key No.	Part No.	Parts Name
1	H37-4601	Drag knob	43	H17-2703	Spacing sleeve
2	F71-0001	Drag washer retainer	44	G55-7101	Screw (H)
3	G16-5602	Drag knob click plate	45	H24-4501	Bearing retainer (A)
4	H24-7203	Drag washer	46	G47-2501	Ball bearing (A)
5	G16-5902	Eared washer	47	H24-3901	Collar (D)
6	G16-2702	Key washer	48	E26-2701	Ratchet
8	G34-1501	Washer (A)	49	E33-9701	Washer (D)
9	G34-1301	Click leaf spring holder	50	H37-3901	Pinion gear
10	G34-1401	Spool click leaf spring	51	H32-3501	Collar (E)
11	G33-9301	Pin (A)	52	G33-7101	Brake ring
12	H37-8701	Spool metal	53	H37-3601	Body assembly
13	H42-8801	Rotor nut	54	G33-8901	Pin (B)
14	H05-0101	Collar (A)	55	H43-7201	Main shaft
15	E49-2001	Screw (A)	56	H32-3101	Oscillating gear (A)
16	H32-4402	Rotor	57	G15-7401	Oscillating gear spring
17	H32-5001	Bail holder nut	58	H32-3001	Oscillating gear (B)
18	H32-4801	Plate	59	G43-1001	Ball bearing (B)
19	351-6105	Screw (B)	60	H34-7101	Screw (I)
20	H36-5301	Bail assembly	61	H24-3301	Collar (F)
21	H03-5502	Collar (B)	62	H33-9401	Anti-reverse pawl
22	H24-6103	Line roller	63	351-6401	Screw (J)
26	H27-1201	Collar (C)	64	H24-4401	Spring
27	H33-9602	Bail arm	65	H37-4001	Drive gear
28	352-1106	Screw (C)	66	371-2800	Washer (E)
29	F60-8901	Screw (D)	67	G48-2401	Ball bearing (C)
30	G33-7501	Bail spring holder	68	H37-4101	Side cover
31	G41-8101	Bail spring	69	G16-0101	Screw (K)
32	H32-4701	Bail spring shaft	70	H37-4201	Handle assembly
33	H32-5401	Bail spring cover	71	G52-2801	Ball bearing (D)
34	352-2510	Screw (E)	72	H04-7201	Bearing retainer (B)
35	G33-7601	Rotor brake spring	73	F40-9001	Collar (G)
36	H32-4901	Rotor brake spring cover	74	Z01-9242	Handle screw
37	352-2510	Screw (F)	75	160-8101	Washer (F)
38	351-6101	Screw (G)	76	G16-7201	Washer (G)
39	H24-4202	Roller clutch retainer	77	G33-9401	"O" ring
40	H24-4001	Clutch cam retainer	2-7	H37-8101	Spool assembly (5000H)
41	H24-7601	Clutch cam	2-7	H37-4301	Spool assembly (6000H)
42	G31-4501	Roller clutch	2-7	H37-8401	Spool assembly (6500H)