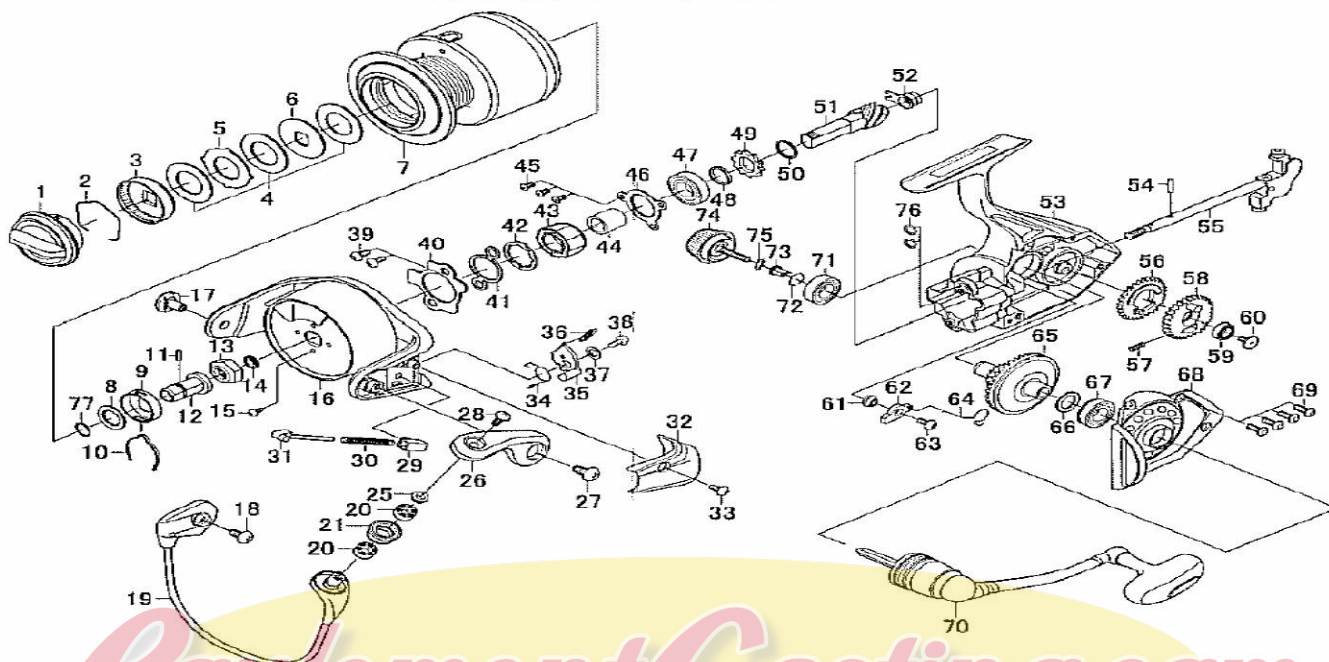


Please order by parts number, not key number
Veuillez indiquer le numéro de la pièce (Non "Key" No.)



SALTIST 4000H/4500H



Key No.	Parts No.	Parts Name	Key No.	Parts No.	Parts Name
1	H36-8601	Drag knob	43	G31-4501	Roller clutch
2	F71-0001	Drag washer retainer	44	H17-2703	Spacing sleeve
3	G16-5602	Drag knob click plate	45	G55-7101	Screw (H)
4	H24-7203	Drag washer	46	H24-4501	Bearing retainer (A)
5	G16-5902	Eared washer	47	G47-2501	Ball bearing (A)
6	G16-2702	Key washer	48	H24-3901	Collar (D)
8	F13-7500	Washer (A)	49	E26-2701	Ratchet
9	E12-2301	Click leaf spring holder	50	E33-9701	Washer(C)
10	B74-7701	Spool click leaf spring	51	H37-6801	Pinion gear
11	G22-4101	Pin (A)	52	H24-3701	Collar(E)
12	G20-3801	Spool metal	53	H36-8001	Body assembly
13	H30-9401	Rotor nut	54	G16-2801	Pin (B)
14	G75-1201	Collar(A)	55	H43-1701	Main shaft
15	G62-7701	Screw (A)	56	H24-3101	Oscillating gear (A)
16	H24-5002	Rotor	57	G15-7401	Oscillating gear spring
17	H24-5602	Bail holder nut	58	H24-3001	Oscillating gear (B)
18	351-6105	Screw (B)	59	G46-7101	Ball bearing (B)
19	H24-5702	Bail assembly	60	H27-2201	Screw (I)
20	H03-5502	Collar (B)	61	H24-3301	Collar (F)
21	H24-6103	Line roller	62	H24-3201	Anti-reverse pawl
25	H27-1201	Collar(C)	63	351-6401	Screw (J)
26	H24-5402	Bail arm	64	H24-4401	Spring
27	G45-5601	Screw (C)	65	H37-6901	Drive gear
28	F60-8901	Screw (D)	66	371-2800	Washer (D)
29	H27-0501	Bail spring holder	67	G48-2401	Ball bearing (C)
30	H34-5301	Bail spring	68	H36-8101	Side cover
31	H24-5301	Bail spring shaft	69	G16-0101	Screw (K)
32	H24-5502	Bail spring cover	70	H36-8201	Handle assembly
33	G20-5101	Screw(E)	71	G52-2801	Ball bearing (D)
34	H26-4401	Bail trip lever spring	72	H04-7201	Beating retainer (B)
35	H37-8801	Bail trip lever	73	F40-9001	Collar(G)
36	G19-4301	Brake shoe	74	Z01-9242	Handle screw
37	375-3000	Washer (B)	75	160-8101	Washer (F)
38	G19-3701	Screw(F)	76	G16-7201	Washer(G)
39	351-6101	Screw(G)	77	G16-3201	"0" ring
40	H24-4202	Roller clutch retainer	2-7	H37-4701	Spool assembly (4000H)
41	H24-4001	Clutch cam retainer	2-7	H36-8301	Spool assembly (4500H)
42	H24-7601	Clutch cam			