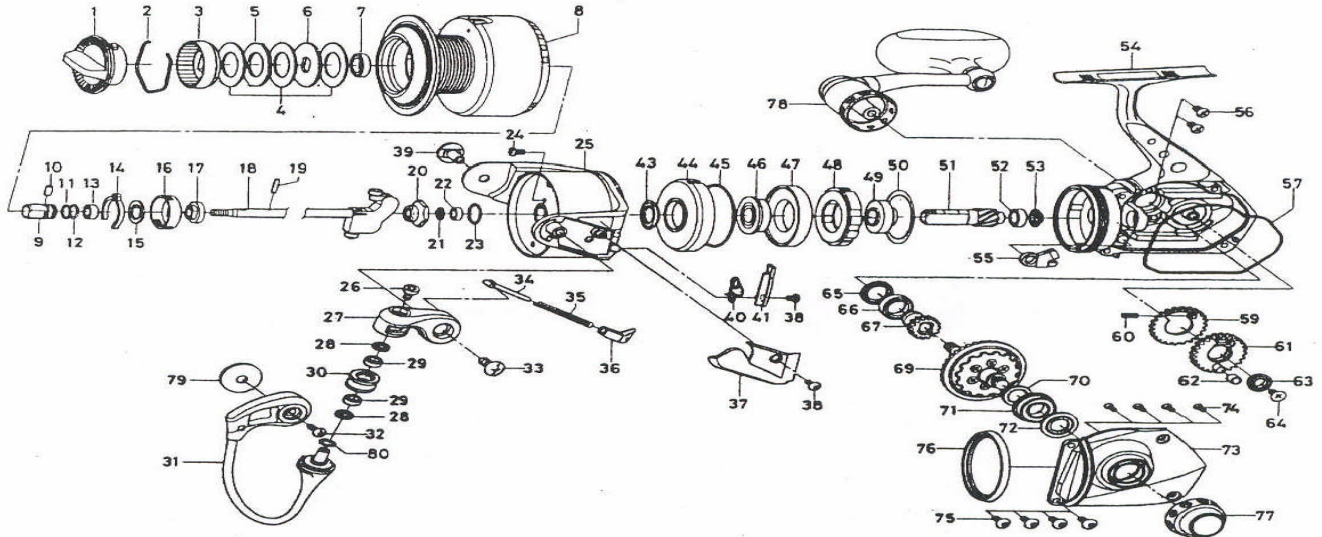


Please order by part number, not key number

**Daiwa**  
COMMITTED TO TOTAL QUALITY  
**SPINNING REEL**

**SALTIGA Z4000 / 4500**



Key No.	Parts No.	Parts Name	Key No.	Parts No.	Parts Name
1	G16-6001	DRAG KNOB	43	G16-2301	WATER SHIELD B
2	F71-0001	DRAG WASHER RET	44	G15-8701	ROLLER CLUTCH COVER
3	G16-5601	DRAG KNOB CLICK PLT	45	G15-8601	O RING B
4	G16-5801	DRAG WASHER	46	G15-8501	BALL BEARING C
5	G16-5901	EARED WASHER	47	G15-8201	COLLAR
6	G16-2701	KEY WASHER	48	F76-5401	ROLLER CLUTCH
7	E45-3901	BALL BEARING A	49	G15-8401	SPACING SLEEVE
2-8	AC0-0003	SPOOL	50	G15-8101	ROLLER CLUTCH WASHER
2-8	AC0-0005	SPOOL	51	G15-8301	PINION GEAR
9	G16-3101	SPOOL METAL A	52	F01-6401	BALL BEARING D
10	G22-4101	PIN A	53	G15-8001	PINION COLLAR
11	G16-3201	O RING	54	G15-6301	BODY
13	B35-8601	SPOOL BALL BEARING	55	G15-9301	A/R PAWL
14	B74-7701	SPOOL CLICK LEAF SPRING	56	G16-9701	BEARING HOLDER SCREWA
15	F13-7500	SPOOL WASHER	57	G16-0001	BODY SHIELD
16	E12-2301	CLICK LEAF SPRING HOLDER	59	G15-7301	OSC GEAR A
17	G16-2901	SPOOL METAL B	60	G15-7401	OSC GEAR SPRING
18	G15-7701	MAIN SHAFT	61	G15-7201	OSC GEAR B
19	G16-2801	PIN B	62	G15-7601	OSC GEAR COLLAR A
20	G16-2601	ROTOR NUT	63	G15-7501	OSC GEAR BALL BEARING
21	G16-2501	ROTOR NUT WASHER	64	B70-3401	OSC GEAR SCREW
22	F05-5601	BALL BEARING B	65	G15-6701	BALL BEARING SHIELD A
23	G16-2401	WATER SHIELD A	66	G15-6801	BALL BEARING E
24	E49-2001	ROTOR NUT LOCK SCREW	67	G25-2301	IDLE GEAR
25	G16-0301	ROTOR	69	G15-8801	DRIVE GEAR
26	G16-2201	LINE ROLLER SCREW	70	371-2824	DRIVE GEAR WASHER
27	G16-0601	BAIL ARM	71	F24-0001	BALL BEARING F
28	G16-2001	LINE ROLLER BUSHING	72	G15-9801	BALL BEARING SHIELD B
29	F84-4901	BALL BEARING B	73	G15-9701	SIDE COVER
30	G16-2101	LINE ROLLER	74	G15-9901	BEARING HOLDER SCREW B
31	G16-1101	BAIL	75	G16-0101	SIDE COVER SCREW
32	351-6102	BAIL HOLDER SCREW	76	G16-0201	BRAKE RING
33	352-1103	BAIL ARM SCREW	77	G16-4501	HANDLE SCREW CAP
34	G01-7503	BAIL SPRING SHAFT	78	G16-3301	HANDLE
35	G16-0401	BAIL SPRING	79	G22-4001	BAIL HOLDER WASHER
36	G16-0501	BAIL SPRING HOLDER	80	E09-6500	LINE ROLLER WASHER B
37	G16-0801	BAIL SPRING COVER			
38	G16-1001	BAIL SPRING COVER SCREW			
39	G16-1801	BAIL HOLDER NUT			
40	G16-0701	ROTOR BRAKE SPRING			
41	G16-0901	ROTOR BRAKE SPRING COVER			

SPECIAL PART FOR SA-Z4500					
Key No.	Parts No.	Parts Name	Key No.	Parts No.	Parts Name
2-8	AC0-0004	SPOOL			
2-8	AC0-0006	SPOOL			