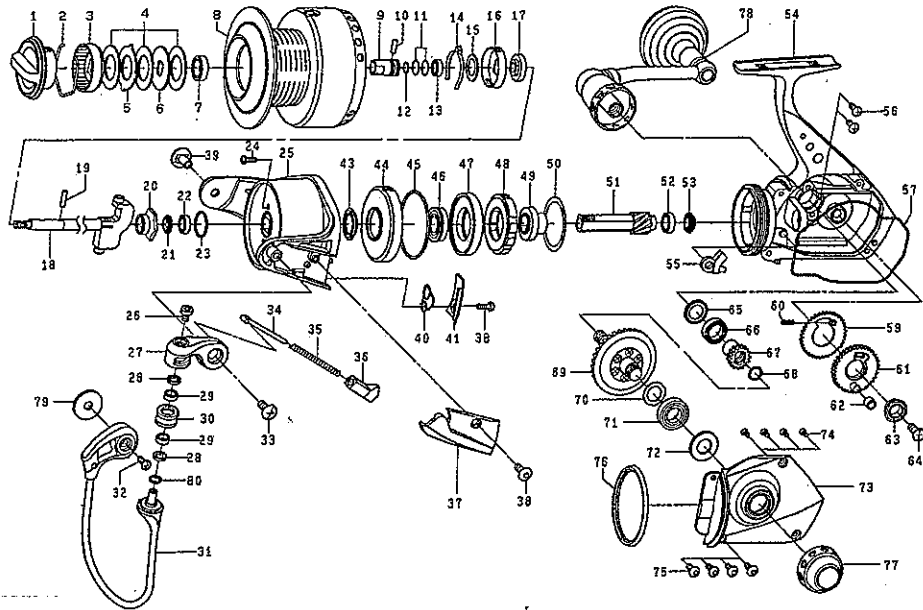


SALTIGA S-EXTREME 4500Z



| Key No. | Parts No. | Parts Name | Key No. | Parts No. | Parts Name |
|---------|-----------|--------------------------|---------|-----------|--------------------------|
| 1 | 6H276401 | Drag knob | 40 | 6G160701 | Rotor brake spring |
| 2 | 6F710001 | Drag washer retainer | 41 | 6G160905 | Rotor brake spring cover |
| 3 | 6G165602 | Drag knob click plate | 43 | 6G162301 | Packing (C) |
| 4 | 6H247202 | Drag washer | 44 | 6G158701 | Roller clutch cover |
| 5 | 6G165902 | Eared washer | 45 | 6G158601 | "O" ring (D) |
| 6 | 6G162702 | Key washer | 46 | 6G158501 | Ball bearing (E) |
| 7 | 6E453901 | Ball bearing (A) | 47 | 6G158201 | Collar (B) |
| 2-8 | 6H276201 | Spool assembly | 48 | 6F765401 | Roller clutch |
| 9 | 6G163101 | Spool metal (A) | 49 | 6G158401 | Spacing sleeve |
| 10 | 6G224101 | Pin (A) | 50 | 6G158101 | Washer (A) |
| 11 | 6G163201 | "O" ring (A) | 51 | 6G262401 | Pinion gear |
| 12 | 6G163001 | "O" ring (B) | 52 | 6G522702 | Ball bearing (F) |
| 13 | 6B358601 | Ball bearing (B) | 53 | 6G158001 | Collar (C) |
| 14 | 6B747701 | Spool click leaf spring | 54 | 6H275901 | Body assembly |
| 15 | 6F137500 | Spool washer | 55 | 6G159301 | Anti-reverse pawl |
| 16 | 6E122301 | Click leaf spring holder | 56 | 6G169701 | Screw (F) |
| 17 | 6G162901 | Spool metal (B) | 57 | 6G160001 | Packing (D) |
| 18 | 6G157703 | Main shaft | 59 | 6G157301 | Oscillating gear (A) |
| 19 | 6G162801 | Pin (B) | 60 | 6G157401 | Oscillating gear spring |
| 20 | 6G162601 | Rotor nut | 61 | 6G157201 | Oscillating gear (B) |
| 21 | 6G162501 | Packing (A) | 62 | 6G157601 | Collar (E) |
| 22 | 6F055601 | Ball bearing (C) | 63 | 6G157501 | Ball bearing (G) |
| 23 | 6G162401 | "O" ring (C) | 64 | 6B703401 | Screw (G) |
| 24 | 6E492001 | Screw (A) | 65 | 6G156701 | Packing (E) |
| 25 | 6G160305 | Rotor | 66 | 6G156801 | Ball bearing (H) |
| 26 | 6G162201 | Screw (B) | 67 | 6G252301 | Idle gear |
| 27 | 6G160608 | Bail arm | 68 | 6G252201 | "O" ring (E) |
| 28 | 6G162001 | Packing (B) | 69 | 6G325001 | Drive gear |
| 29 | 6F844901 | Ball bearing (D) | 70 | 63712800 | Washer (B) |
| 30 | 6G162101 | Line roller | 71 | 6F240001 | Ball bearing (I) |
| 31 | 6G161101 | Bail assembly | 72 | 6G159801 | Packing (F) |
| 32 | 63516105 | Screw (C) | 73 | 6G159709 | Side cover |
| 33 | 63521106 | Screw (D) | 74 | 6G159901 | Screw (H) |
| 34 | 6G017503 | Bail spring shaft | 75 | 6G160101 | Screw (I) |
| 35 | 6G160401 | Bail spring | 76 | 6G160201 | Brake ring |
| 36 | 6G160501 | Bail spring holder | 77 | 6H074602 | Handle screw cap |
| 37 | 6G160801 | Bail spring cover | 78 | 6H276001 | Handle assembly |
| 38 | 6G161001 | Screw (E) | 79 | 6G224001 | Washer (C) |
| 39 | 6G161801 | Bail holder nut | 80 | 6E096500 | Washer (D) |