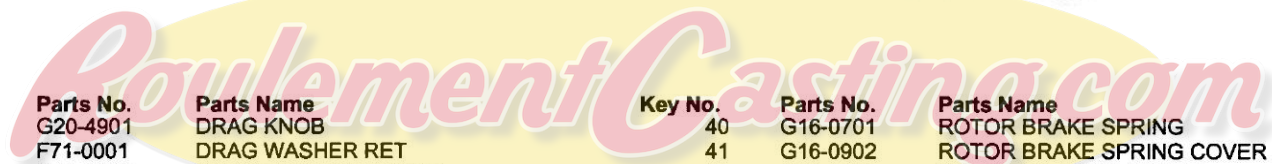
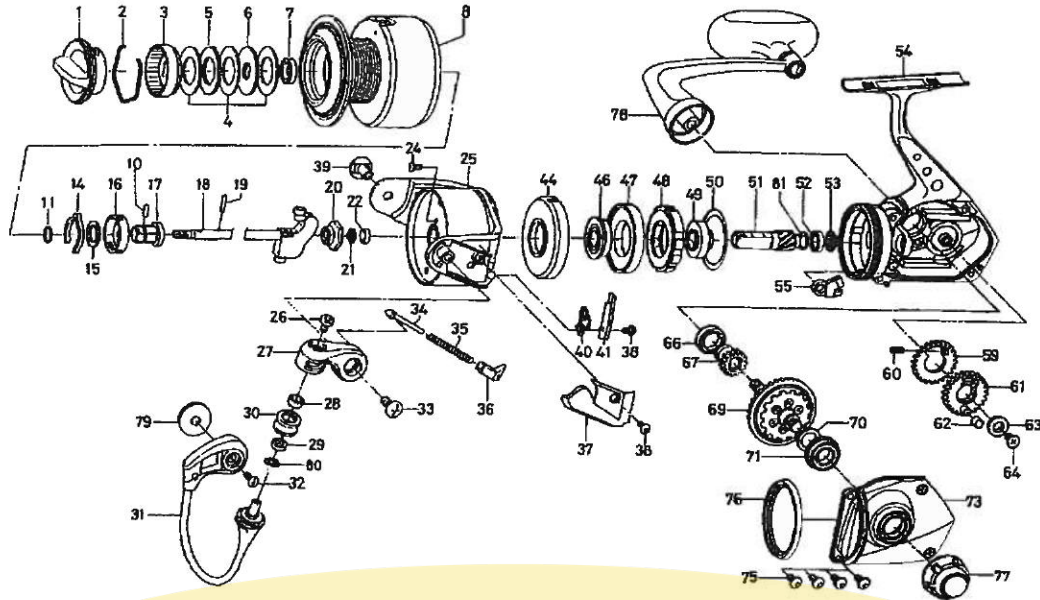


**SPINNING REEL SALTIGA blast 4000 / 4500**



Key No.	Parts No.	Parts Name
1	G20-4901	DRAG KNOB
2	F71-0001	DRAG WASHER RET
3	G16-5601	DRAG KNOB CLICK PLT
4	G16-5801	DRAG WASHER
5	G16-5901	EARED WASHER
6	G16-2701	KEY WASHER
7	E45-3901	BALL BEARING A
2-8	G20-4601	SPOOL
10	G22-4101	PIN A
11	G16-3201	O RING
14	B74-7701	SPOOL CLICK LEAF SPRING
15	F13-7500	SPOOL WASHER
16	E12-2301	CLICK LEAF SPRING HOLDER
17	G20-3801	SPOOL METAL
18	G15-7702	MAIN SHAFT
19	G16-2801	PIN B
20	G16-2601	ROTOR NUT
21	G16-2501	ROTOR NUT WASHER
22	F05-5601	BALL BEARING B
24	E49-2001	ROTOR NUT LOCK SCREW
25	G16-0302	ROTOR
26	G16-2201	LINE ROLLER SCREW
27	G16-0602	BAIL ARM
28	F84-4901	BALL BEARING C
29	F47-3401	LINE ROLLER BUSHING
30	G20-3701	LINE ROLLER
31	G20-3601	BAIL
32	351-6105	BAIL HOLDER SCREW
33	352-1106	BAIL ARM SCREW
34	G01-7503	BAIL SPRING SHAFT
35	G16-0401	BAIL SPRING
36	G16-0501	BAIL SPRING HOLDER
37	G16-0801	BAIL SPRING COVER
38	G16-1001	BAIL SPRING COVER SCREW
39	G16-1802	BAIL HOLDER NUT

Key No.	Parts No.	Parts Name
40	G16-0701	ROTOR BRAKE SPRING
41	G16-0902	ROTOR BRAKE SPRING COVER
44	G15-8701	ROLLER CLUTCH COVER
46	G15-8501	BALL BEARING C
47	G15-8201	COLLAR
48	F76-5401	ROLLER CLUTCH
49	G15-8401	SPACING SLEEVE
50	G15-8101	ROLLER CLUTCH WASHER
51	G27-0001	PINION GEAR
52	F01-6401	BALL BEARING D
53	G15-8001	PINION COLLAR
54	G15-6402	BODY
55	G15-9301	A/R PAWL
59	G15-7301	OSC GEAR A
60	G15-7401	OSC GEAR SPRING
61	G15-7201	OSC GEAR B
62	G15-7601	OSC GEAR COLLAR A
63	G20-3201	OSC GEAR COLLAR B
64	B70-3401	OSC GEAR SCREW
66	G15-6801	BALL BEARING E
67	G15-6901	IDLE GEAR
69	G20-3301	DRIVE GEAR
70	371-2824	DRIVE GEAR WASHER
71	F24-0001	BALL BEARING F
73	G15-9702	SIDE COVER
75	G16-0101	SIDE COVER SCREW
76	G16-0201	BRAKE RING
77	G20-4301	HANDLE SCREW CAP
78	G20-3901	HANDLE
79	G22-4001	BAIL HOLDER WASHER
80	E09-6500	LINE ROLLER WASHER B

**SAB4500**  
Key No. 2-8

Parts No.	Parts Name
G20-4401	SPOOL