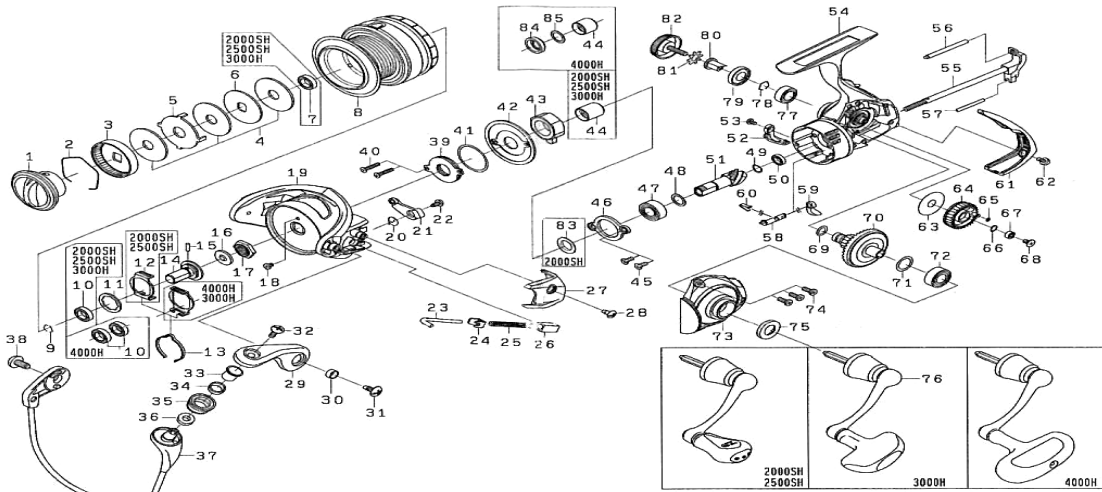




SPINNING REEL PROCYON EX2000SH-2500SH/3000H-4000H

Please order by parts number, not key number
 Veuillez indiquer le numéro de la pièce (Non "Key" No.)



Key No.	PREX2000SH Part No.	Part Name	PREX2500SH Part No.	PREX3000H Part No.	PREX4000H Part No.
1	J10-8001	DRAG KNOB	J10-8101	J10-8101	J10-8201
2	F74-2501	DRAG WASHER RETAINER	F71-0001	F71-0001	F71-0001
3	F90-8701	DRAG KNOB CLICK PLATE	F89-5301	F89-5301	F89-5302
4	F63-5001	DRAG WASHER	F69-1001	F69-1001	F62-7101
5	F63-5201	EARED WASHER	F62-7301	F62-7301	F62-7301
6	H62-7701	KEY WASHER	F62-7201	F62-7201	F62-7201
7	E30-6801	BALL BEARING (A)	E30-6801	E30-6801	H71-4001
2-8	J10-4601	SPOOL ASSEMBLY	J10-5201	J20-7001	J10-6201
9	G47-2401	BEARING RETAINER (A)	G47-2401	G47-2401	G52-5101
10	E30-6801	BALL BEARING (B)	E30-6801	E30-6801	B86-1704
11	H80-6300	WASHER (A)	H80-6300	H80-6300	G90-3900
12	H41-6001	CLICK LEAF SPRING HOLDER	H41-6001	H41-6001	G89-4001
13	H88-3701	SPOOL CLICK LEAF SPRING	H88-3701	H88-3701	F70-9002
14	H71-7701	SPOOL METAL	H71-7701	H61-5001	H64-1501
15	G37-5001	PIN	G37-5001	G37-5001	G22-4101
16	H98-6901	PACKING (A)	H98-6901	H98-6901	H99-5201
17	H96-1101	ROTOR NUT	H96-1101	H96-1101	H99-5101
18	H02-2701	SCREW (A)	H02-2701	H02-2701	H02-2701
19	H97-4306	ROTOR	H96-0007	H96-0007	H99-4305
20	H44-3301	BAIL TRIP LEVER SPRING	H41-3601	H41-3601	H41-3601
21	H44-3401	BAIL TRIP LEVER	J03-8501	J07-2301	H99-4401
22	H41-7701	SCREW (B)	H41-7701	H41-7701	H41-7701
23	H44-3601	BAIL SPRING SHAFT	H41-4101	H57-2001	H64-0601
24	H57-6101	BAIL SPRING PLATE	H57-6101	H57-6101	H57-6101
25	H44-2401	BAIL SPRING	H54-6701	J08-9301	H64-0701
26	H41-4301	BAIL SPRING HOLDER	H41-4301	J08-9401	J08-9401
27	H97-4401	COVER (A)	H96-0201	H98-6401	H99-4601
28	G27-0801	SCREW (C)	G27-0801	G27-0801	G27-0801
29	H72-8911	BAIL ARM	H72-8911	H72-8911	H72-8911
30	H98-2401	COLLAR (A)	H98-2401	H98-2401	H98-2401
31	G20-5001	SCREW (D)	G20-5001	G20-5001	G20-5001
32	G19-5602	SCREW (E)	G19-5602	G19-5602	G19-5602
33	G19-5501	COLLAR (B)	G19-5501	G19-5501	G19-5501
34	G22-0701	COLLAR (C)	G22-0701	G22-0701	G22-0701
35	J08-9901	LINE ROLLER	J08-9901	J08-9901	J08-9901
36	G87-4201	COLLAR (D)	G87-4201	G87-4201	G87-4201
37	H98-3201	BAIL ASSEMBLY	H98-3601	H98-3601	H98-3601
38	G20-5001	SCREW (F)	G20-5001	G20-5001	G20-5001
39	H53-2602	MAGNET ASSEMBLY	H53-2602	H53-2602	H73-0701
40	J00-1601	SCREW (G)	J00-1601	J00-1601	J00-1601
41	J21-2501	"O" RING (A)	J21-2501	J21-2501	J21-2901
42	J10-0301	COVER (B)	J10-0301	J10-0301	J10-0501
43	H41-2601	ROLLER CLUTCH	H41-2601	H41-2601	J01-5701
44	J00-1402	SPACING SLEEVE	J00-1402	J00-1402	J21-2601
45	J00-0901	SCREW (H)	J00-0901	J00-0901	J00-0901
46	H44-2201	BEARING RETAINER (B)	H44-2201	H41-1501	J02-0801
47	G46-7302	BALL BEARING (C)	G46-7302	G53-5104	G52-2802
48	375-8500	WASHER (B)	375-8500	375-8500	371-2800
49	H93-1701	SPRING WASHER	H93-1701	H93-1701	G57-2501
50	H95-9601	BALL BEARING (D)	H95-9601	G46-6202	G46-7105
51+70	Z02-1953	PINION GEAR + DRIVE GEAR UNIT	Z02-1953	Z02-1954	Z02-1955
52	J02-2601	BAIL TRIP PLATE	J00-1101	J00-1101	J02-1001
53	G94-0402	SCREW (I)	G94-0402	G94-0402	G94-0402
54	J10-6401	BODY	J10-6401	J10-6601	J10-6801
55	J14-0601	MAIN SHAFT	H11-1701	J14-0901	J14-0901
56	H61-4301	STABILIZER BAR (A)	H61-4301	H61-4301	H61-4301
57	J08-4801	STABILIZER BAR (B)	J08-4801	J08-4802	J08-4803
58	H59-5501	ANTI-REVERSE CAM	H59-5501	H59-5501	J02-0501
59	H59-5401	ANTI-REVERSE LEVER	H59-5401	H59-5401	H59-5401
60	H69-7801	ANTI-REVERSE CAM SPRING	H69-7801	H69-7801	H69-7801
61	J00-1701	REAR COVER	J00-1701	J01-5901	J01-5901
62	J00-1801	SCREW (J)	J00-1801	J00-1801	J00-1801
63	H59-5701	WASHER (C)	H59-5701	H59-5701	G64-4201
64	H76-8401	OSCILLATING GEAR	H72-7901	H61-3901	G64-4302
65	H77-0601	"O" RING (B)	H77-0601	G46-6001	B85-3101
66	H12-9200	WASHER (D)	H12-9200	H12-9200	G52-2100
67	G34-9005	BALL BEARING (E)	G34-9005	G34-9005	G46-7105
68	G94-0402	SCREW (K)	G94-0402	G94-0402	H27-2202
69	G67-0501	"O" RING (C)	G67-0501	G67-0501	G64-5301
71	375-8500	WASHER (E)	375-8500	375-8500	373-7800
72	G46-7302	BALL BEARING (F)	G46-7302	G46-7302	G52-3405
73	J10-6501	SIDE COVER	J10-6501	J10-6701	J10-6901
74	G33-2904	SCREW (L)	G33-2904	G33-2904	G33-2904
75	J10-0201	PACKING (B)	J10-0201	J10-0201	J10-0401
76	J10-7401	HANDLE ASSEMBLY	J10-7501	J01-3601	J10-7601
77	G52-2703	BALL BEARING (G)	G52-2703	G52-2703	B86-1704
78	G47-2401	BEARING RETAINER (C)	G47-2401	G47-2401	G52-5101
79	J10-0201	PACKING (C)	J10-0201	J10-0201	J10-0401
80	F72-1001	COLLAR (E)	F72-1001	F72-1001	F72-1202
81	160-8101	WASHER (F)	160-8101	160-8101	160-8101
82	H61-3302	HANDLE SCREW	H61-3302	H61-3302	H64-1802
84	--	COLLAR(F)	--	--	J21-2801
85	--	WASHER(H)	--	--	J21-2701