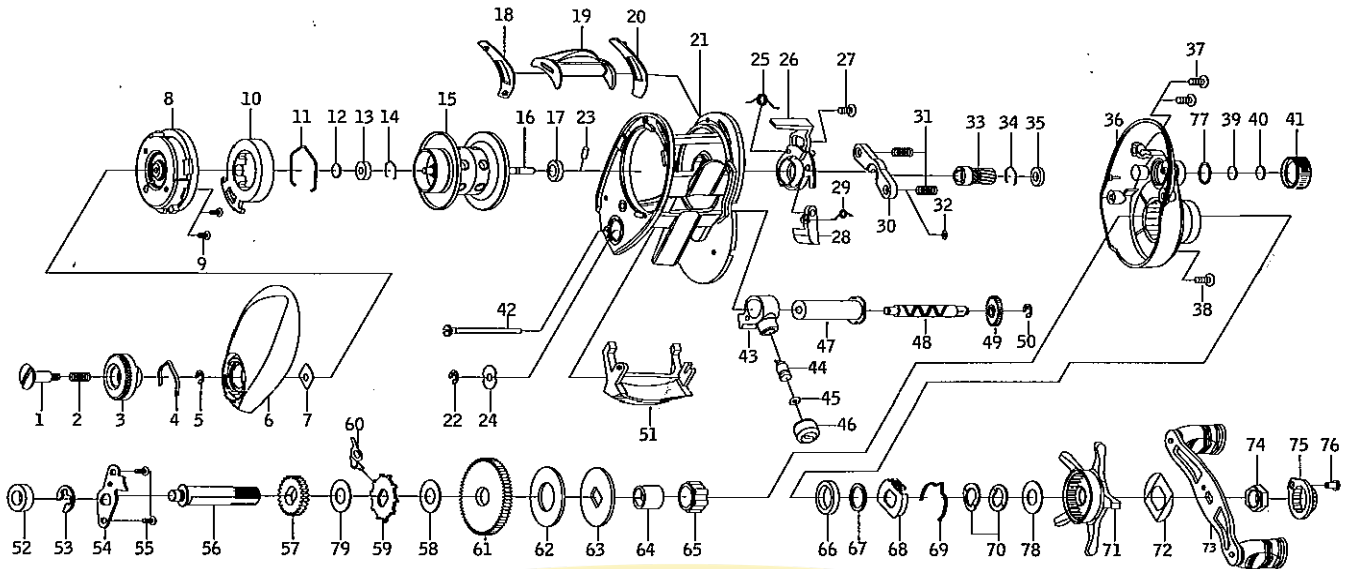




LEXA 100H/100HS/100P



Key No.	Part No.	Part Name	Key No.	Part No.	Part Name
1	460-5410	SET PLATE SCREW	51	550-1650	FRAME PLATE
2	510-4450	SET PLATE SPRING	52	140-1580	BALL BEARING(C)
3	550-1610	BRAKE ADJUST KNOB(S)	53	200-0580	DRIVE GEAR SHAFT RETAINER(B)
4	550-5060	BRAKE CLICK SPRING	54	410-2210	DRIVE GEAR SHAFT RETAINER(A)
5	200-0530	BRAKE DIAL RETAINER(A)	55	460-4640	SCREW
6	230-2270	LEFT SIDE PLATE	56	470-3880	DRIVE SHAFT
7	410-1911	BRAKE DIAL RETAINER(B)	57	240-2190	DRIVE SHAFT GEAR
8	220-3030	LEFT SET PLATE	58	540-6840	SPACER(F)
9	460-3220	SCREW	59	240-2530	ANTI-REVERSE RATCHET
10	240-1952	MAGNET HOLDER	60	530-0840	ANTI-REVERSE PAWL
11	430-1070	MAGNET HOLDER RET. RING	61	250-1400	DRIVE GEAR
12	540-5990	SPACER(A)	62	540-6950	DRAG WASHER
13	140-1500	BALL BEARING(A)	63	540-9030	KEY WASHER
14	430-1061	BEARING RETAINER	64	150-2180	GEAR SHAFT COLLAR
15-17, 23	700-9610	SPOOL ASSEMBLY	65	1401-810	ROLLER CLUTCH
18	410-2150	SPACER(B)	66	140-0570	BALL BEARING(D)
19	090-0260	CLUTCH LEVER	67	540-1570	SPACING WASHER
20	410-2140	SPACER(C)	68	410-2220	PLATE
21	110-1070	FRAME ASSEMBLY	69	510-4760	LEAF SPRING(A)
22	200-0530	WORM SHAFT RETAINER	70	540-6390	DRAG SPRING WASHER
23	400-2250	SPOOL PIN	71	700-7170	STAR DRAG
24	540-6060	WORM SHAFT WASHER	72	510-3260	LEAF SPRING(B)
25	510-5040	CLUTCH CAM SPRING	73	700-8620	HANDLE ASSEMBLY
26	170-1280	CLUTCH CAM PLATE	74	380-0770	HANDLE NUT
27	510-5160	SCREW	75	180-2470	HANDLE NUT PLATE
28	330-2820	CLUTCH TRIP PLATE	76	460-0450	SCREW
29	510-5050	CLUTCH CAM SPRING(B)	77	430-1080	O-RING
30	410-1890	YOKE	78	200-1160	WASHER
31	510-4770	YOKE SPRING	79	540-7010	DRIVE SHAFT WASHER A
32	540-6020	WASHER(B)			
33	260-1671	PINION GEAR			
34	430-1061	BEARING RETAINER			
35	150-2060	BUSH			
36	230-2420	RIGHT SIDE PLATE			
37	460-7010	SCREW			
38	460-5520	SCREW			
39	540-6850	SPACER(D)			
40	540-4340	SPACER(E)			
41	380-1770	CAST CONTROL CAP(S)			
42	460-4861	LONG SCREW			
43	490-1080	LINE GUIDE			
44	400-2540	LINE GUIDE PAWL			
45	540-3980	WASHER(C)			
46	380-0780	LINE PAWL CAP			
47	270-0730	LEVEL WIND GUIDE			
48	470-1920	WORM SHAFT			
49	240-2180	WORM SHAFT GEAR			
50	200-0530	GEAR RETAINER			

LEXA 100HS-SPECIAL PARTS		
Key No.	Part No.	Part Name
33	260-1681	PINION GEAR
36	230-2420	RIGHT SIDE PLATE
61	250-1410	DRIVE GEAR

LEXA 100P-SPECIAL PARTS		
Key No.	Part No.	Part Name
33	260-1721	PINION GEAR
36	230-2420	RIGHT SIDE PLATE
61	250-1420	DRIVE GEAR