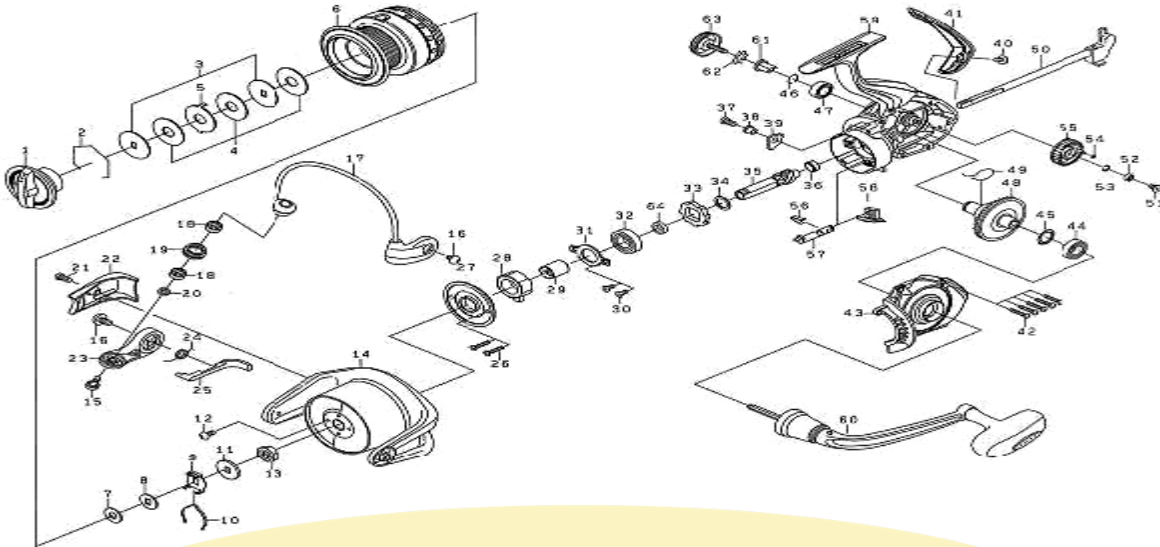


# YAMAHA

## SPINNING REEL

# LAGUNA5000-5BI

Please order by parts number, not key number  
 Veuillez indiquer le numéro de la pièce (Non "Key" No.)



Key No.	Part No.	Part Name	Key No.	Part No.	Part Name
1	Q19-3001	DRAG KNOB	33	E26-2701	A/R RATCHET
2	F88-4001	DRAG WASHER RET	34	Q21-6000	BEARING RET
3	H17-5101	KEY WASHER	35	Q21-6201	PINION GEAR
4	F75-5504	DRAG WASHER	36	Q18-8501	COLLAR
5	F75-5701	EARED WASHER	37	B00-8601	SCREW
2~6	Q21-6901	SPOOL ASSEMBLY	38	H35-4401	COLLAR
7	F05-0100	WASHER	39	H24-3201	A/R PAWL
8	F05-0002	WASHER	40	G27-0801	SCREW
9	H17-4201	CLICK LEAF SPRING HOLDER	41	Q18-9003	REAR COVER
10	F70-4902	SPOOL CLICK LEAF SPRING	42	G41-0701	SCREW
11	F04-9901	WASHER	43	Q21-6401	SIDE COVER
12	G62-7701	SCREW	44	H73-5002	BALL BEARING
13	H49-5901	ROTOR NUT	45	371-2800	WASHER
14	H17-3313	ROTOR	46	H04-7201	RETAINER
15	F60-8901	SCREW	47	H73-5002	BALL BEARING
16	G45-5601	SCREW	48	H17-2803	DRIVE GEAR
17	H19-1601	BAIL ASSEMBLY	49	H24-4401	SPRING
18	H19-4701	COLLAR	50	Q18-8301	MAIN SHAFT
19	Q24-6101	LINE ROLLER	51	Q18-8201	SCREW
20	H04-9901	COLLAR	52	B86-1705	BALL BEARING
21	G20-5101	SCREW	53	Q21-6000	BEARING RET
22	H17-3603	ARM LEVER COVER	54	Q21-5901	O RING
23	H17-3502	BAIL ARM	55	Q21-5801	OSC GEAR
24	F60-8001	BAIL SPRING	56	H69-7801	A/R CAM SPRING
25	H17-3401	BAIL TRIP LEVER	57	Q21-5701	A/R CAM
26	G83-7101	SCREW	58	Q26-6701	ARM LEVER
27	Q21-6701	SEALED CAP	59	Q21-5301	BODY
28	J01-5701	ROLLER CLUTCH	60	Q21-6801	HANDLE ASSEMBLY
29	Q21-6601	SPACING SLEEVE	61	F40-9001	COLLAR
30	Q21-9501	SCREW	62	160-8101	WASHER
31	Q21-6101	BEARING RET	63	Q18-9301	HANDLE SCREW
32	G42-6301	BALL BEARING	64	Q21-6301	COLLAR