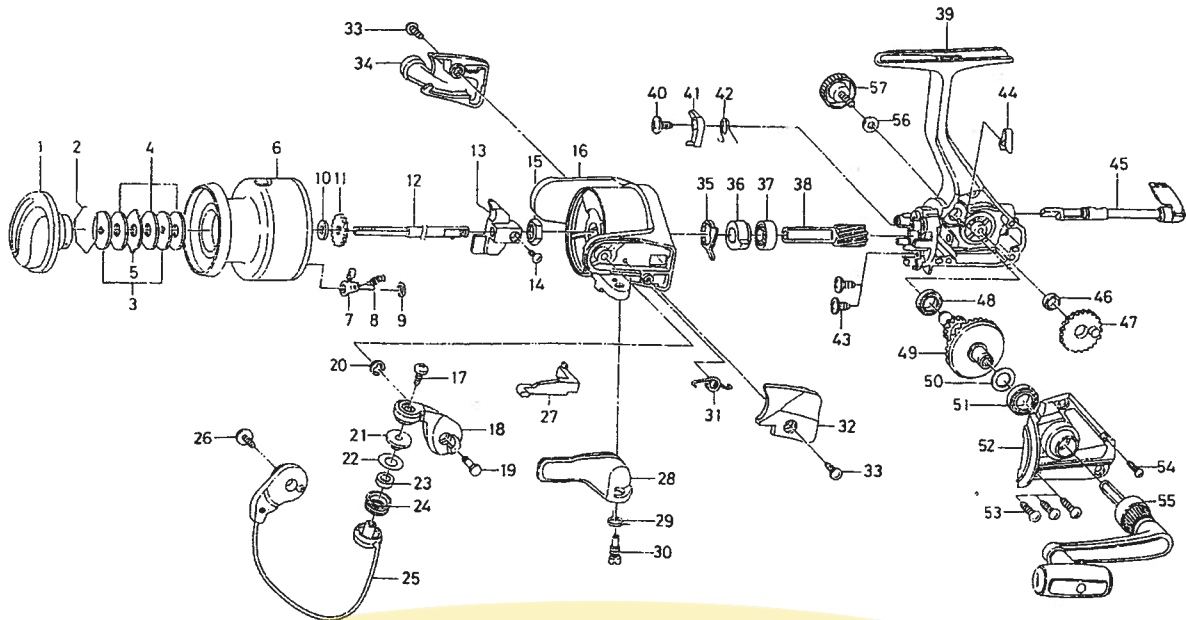


JUPITER-Z3505T-3B



Key No.	Parts No.	Parts Name	Key No.	Parts No.	Parts Name
2-9	F72-8001	SPOOL	30	E37-0003	TRIGGER SCREW
1	F32-9501	DRAG KNOB	31	F12-8901	BAIL SPRING
2	171-7701	DRAG WASHER RET	32	F31-4509	BAIL SPRING COVER
3	F09-4901	KEY WASHER	33	E36-4202	BAIL SPRING COVER SCREW
4	E13-6003	DRAG WASHER	34	F31-4609	BAIL TRIP COVER
5	373-3603	EARED WASHER	35	E46-2001	SPRING HOLDER
7	B07-5304	CLICK PAWL	36	F24-8901	A/R RATCHET
8	E40-3101	CLICK SPRING	37	L03-6502	BALL BEARING A
9	320-5901	CLICK RET	38	E52-0101	PINION GEAR
10	F09-4701	SPOOL WASHER	39	F72-7702	BODY
11	E46-2701	CLICK GEAR	40	E00-7101	A/R PAWL SCREW
12	F61-9501	MAIN SHAFT	41	E46-1302	A/R PAWL
13	F09-1301	OSC SLIDER	42	E46-1201	A/R PAWL SPRING
14	352-1502	OSC SLIDER SCREW	43	E03-7801	BEARING RET SCREW
15	340-6602	ROTOR NUT	44	F38-5901	A/R CAM SPRING
16	F62-0305	ROTOR	45	F08-5125	A/R LEVER
17	B67-9304	LINE ROLLER SCREW	46	F13-1601	OSC GEAR COLLAR
18	F61-9301	BAIL ARM	47	E46-1501	OSC GEAR
19	E49-3501	BAIL ARM SCREW	48	631-6901	BALL BEARING B
20	320-5901	BAIL ARM SCREW RET	49	E52-0201	DRIVE GEAR
21	F44-6302	LINE ROLLER COLLAR	50	373-7808	DRIVE GEAR WASHER
22	F44-6202	LINE ROLLER WASHER	51	631-6901	BALL BEARING C
23	F47-3401	LINE ROLLER BUSHING	52	F72-7802	SIDE COVER
24	F45-4901	LINE ROLLER	53	B83-5002	SIDE COVER SCREW A
25	F61-9903	BAIL	54	E15-8602	SIDE COVER SCREW B
26	B84-2102	BAIL ARM SCREW	55	F72-7901	HANDLE
27	E46-2101	BAIL TRIP LEVER	56	B92-4902	HANDLE LOCK SCREW WASHER
28	F18-0010	TRIGGER LEVER	57	F03-5605	HANDLE LOCK SCREW
29	E36-9901	TRIGGER SPRING			