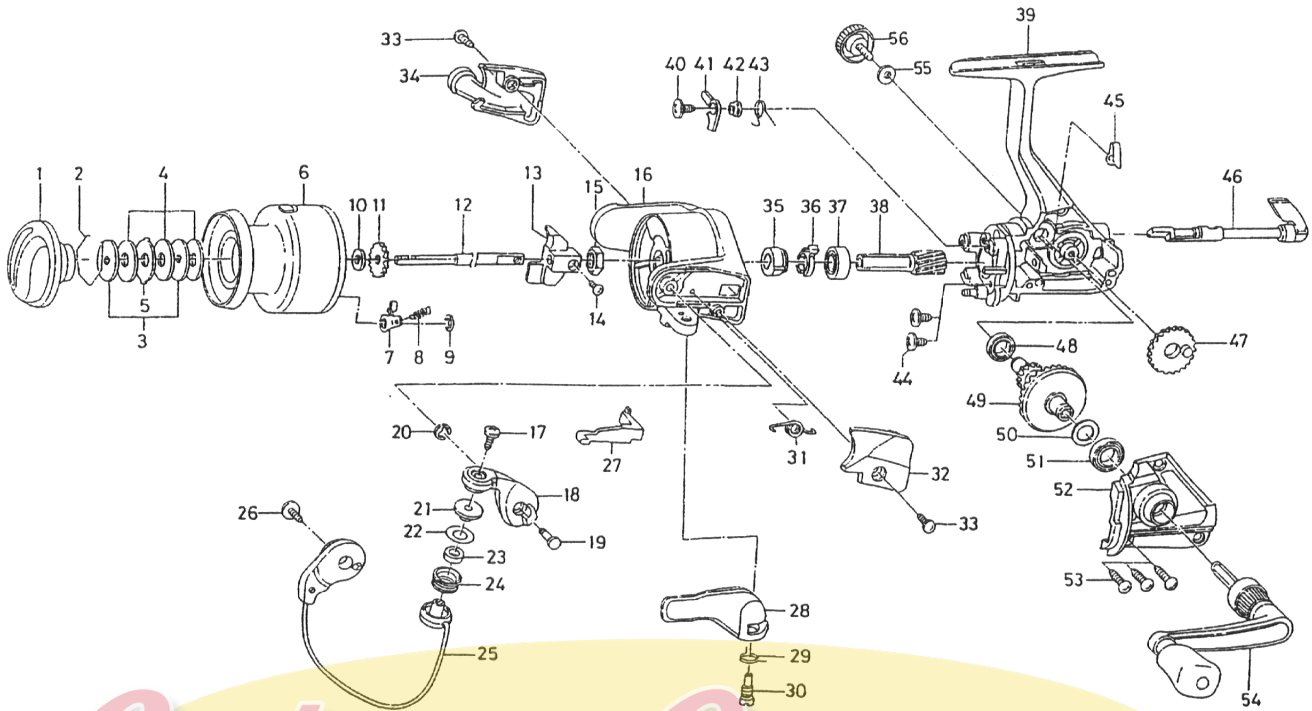


JUPITER-Z2505T-3B



Key No.	Parts No.	Parts Name	Key No.	Parts No.	Parts Name
2-9	F72-7601	SPOOL	29	E36-9901	TRIGGER SPRING
1	F42-0903	DRAG KNOB	30	E37-0003	TRIGGER SCREW
2	171-7701	DRAG WASHER RET	31	F12-8901	BAIL SPRING
3	E46-7201	KEY WASHER	32	F31-0510	BAIL SPRING COVER
4	E13-6003	DRAG WASHER	33	E36-4202	BAIL SPRING COVER SCREW
5	373-3603	EARED WASHER	34	F31-0609	BAIL TRIP COVER
7	B07-5304	CLICK PAWL	35	E49-2401	A/R RATCHET
8	E40-3101	CLICK SPRING	36	E38-5501	SPRING HOLDER
9	320-5901	CLICK RET	37	L03-6601	BALL BEARING A
10	E46-7101	SPOOL WASHER	38	E51-9801	PINION GEAR
11	270-6501	CLICK GEAR	39	F72-7302	BODY
12	F61-9401	MAIN SHAFT	40	L00-1801	A/R PAWL SCREW
13	F39-5801	OSC SLIDER	41	L01-4401	A/R PAWL
14	351-0315	OSC SLIDER SCREW	42	L01-4302	A/R PAWL COLLAR
15	341-9201	ROTOR NUT	43	L00-1501	A/R PAWL SPRING
16	F31-0115	ROTOR	44	E03-7801	BEARING RET SCREW
17	B67-9304	LINE ROLLER SCREW	45	F38-5901	A/R CAM SPRING
18	F61-9301	BAIL ARM	46	F08-5121	A/R LEVER
19	E49-3501	BAIL ARM SCREW	47	F60-6001	OSC GEAR
20	320-5901	BAIL ARM SCREW RET	48	E30-6801	BALL BEARING B
21	F44-6302	LINE ROLLER COLLAR	49	F17-0001	DRIVE GEAR
22	F44-6202	LINE ROLLER WASHER	50	373-7808	DRIVE GEAR WASHER
23	F47-3401	LINE ROLLER BUSHING	51	631-6901	BALL BEARING C
24	F45-4901	LINE ROLLER	52	F72-7402	SIDE COVER
25	F61-9703	BAIL	53	B83-5002	SIDE COVER SCREW
26	B84-2102	BAIL ARM SCREW	54	F72-7501	HANDLE
27	E45-1601	BAIL TRIP LEVER	55	B92-4902	HANDLE LOCK SCREW WASHER
28	F18-0010	TRIGGER LEVER	56	F03-5605	HANDLE LOCK SCREW