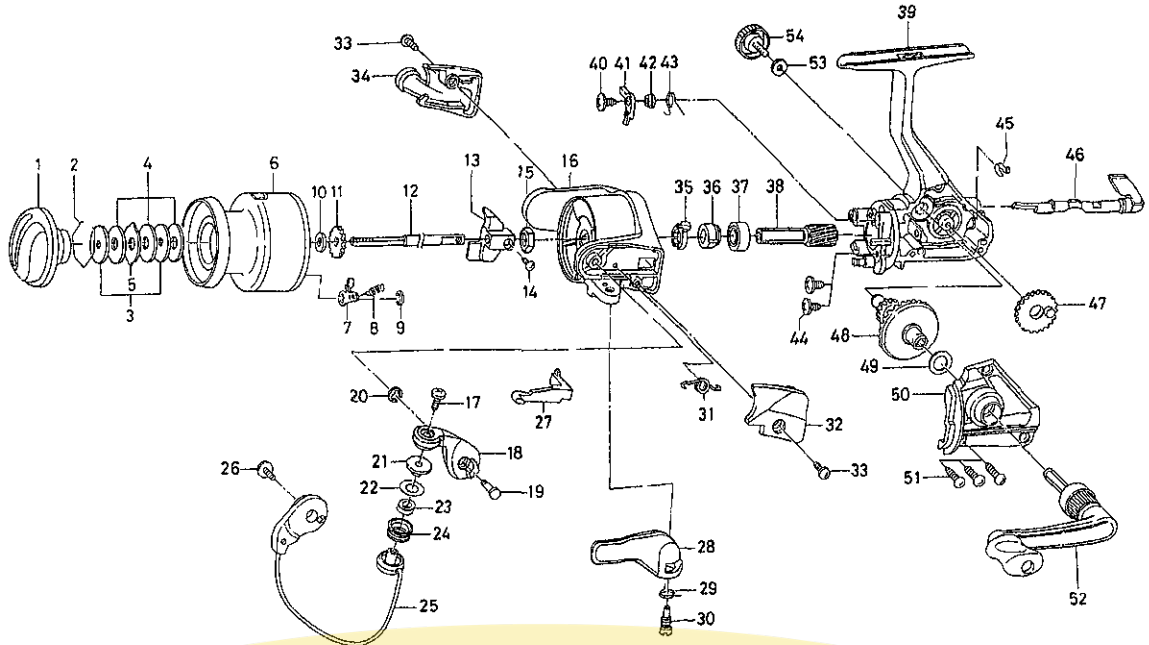


JUPITER-X2505T



Key No.	Parts No.	Parts Name	Key No.	Parts No.	Parts Name
2-9	F61-0701	SPOOL	28	F18-0007	TRIGGER LEVER
1	F32-2106	DRAG KNOB	29	E36-9901	TRIGGER SPRING
2	171-7701	DRAG WASHER RET	30	E37-0001	TRIGGER SCREW
3	E46-7201	KEY WASHER	31	F12-8901	BAIL SPRING
4	E13-6003	DRAG WASHER	32	F31-0510	BAIL SPRING COVER
5	373-3603	EARED WASHER	33	E36-4201	BAIL SPRING COVER SCREW
7	B07-5304	CLICK PAWL	34	F31-0610	BAIL TRIP COVER
8	E40-3101	CLICK SPRING	35	E38-5501	SPRING HOLDER
9	320-5901	CLICK RET	36	E49-2401	A/R RATCHET
10	E46-7101	SPOOL WASHER	37	L03-6601	BALL BEARING
11	270-6501	CLICK GEAR	38	L01-3902	PINION GEAR
12	F61-9401	MAIN SHAFT	39	F61-0502	BODY
13	F39-5801	OSC SLIDER	40	L00-1801	A/R PAWL SCREW
14	351-0315	OSC SLIDER SCREW	41	L01-4401	A/R PAWL
15	341-9201	ROTOR NUT	42	L01-4302	A/R PAWL COLLAR
16	F31-0113	ROTOR	43	L00-1501	A/R PAWL SPRING
17	B67-9305	LINE ROLLER SCREW	44	E03-7801	BEARING RET SCREW
18	F61-9302	BAIL ARM	45	F38-5901	A/R CAM SPRING
19	E49-3501	BAIL ARM SCREW	46	F08-5110	A/R LEVER
20	320-5901	BAIL ARM SCREW RET	47	F60-6001	OSC GEAR
21	F44-6302	LINE ROLLER COLLAR	48	F08-4801	DRIVE GEAR
22	F44-6202	LINE ROLLER WASHER	49	373-7802	DRIVE GEAR WASHER
23	F47-3401	LINE ROLLER BUSHING	50	F61-0602	SIDE COVER
24	F45-4901	LINE ROLLER	51	B83-5001	SIDE COVER SCREW
25	F61-9702	BAIL	52	E49-3801	HANDLE
26	B84-2102	BAIL HOLDER SCREW	53	B92-4902	HANDLE LOCK WASHER
27	E45-1601	BAIL TRIP LEVER	54	B92-5004	HANDLE LOCK SCREW