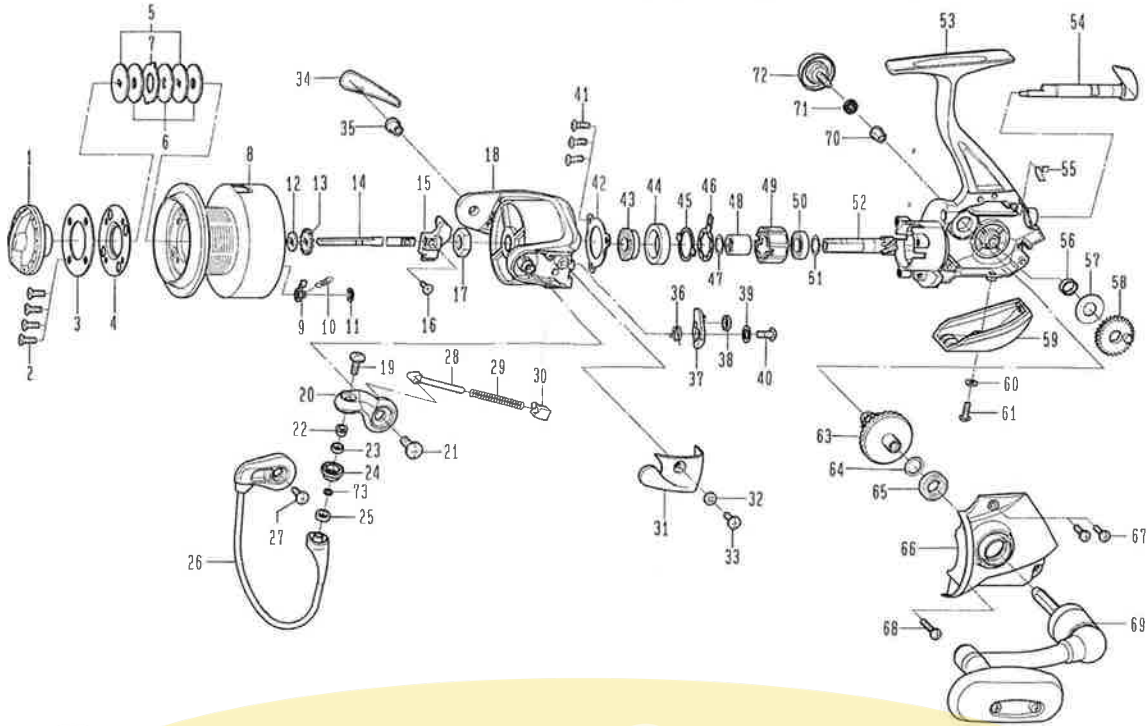


Daiwa
COMMITTED TO TOTAL QUALITY
SPINNING REEL

Exceler Oceano 4500JA



Key No.	Parts No.	Parts Name
1	6H076001	Drag Knob
2	6E134508	Screw (A)
3	6G464401	Plate
4	6G464301	Drag Seal
5	6F094901	Key Washer
6	6G651101	Drag Washer
7	63733603	Eared Washer
2-11	6H075801	Spool Assembly
9	6B075304	Click Pawl
10	6G366501	Click Spring
11	63205901	Click Retainer
12	6F094701	Washer (A)
13	6E462701	Click Gear
14	6G465001	Main Shaft
15	6G025501	Oscillating Slider
16	63521505	Screw (B)
17	6G123301	Rotor Nut
18	6G404509	Rotor
19	6G195601	Screw (C)
20	6G194501	Bail Arm
21	6G224901	Screw (D)
22	6G152501	Collar (E)
23	6G173801	Collar (F)
24	6G461301	Line Roller
25	6G047601	Collar (G)
26	6G405101	Bail Assembly
27	63516101	Screw (E)
28	6G017502	Bail Spring Shaft
29	6G148601	Bail Spring
30	6G017401	Bail Spring Holder
31	6G405004	Cover (A)
32	6G256401	Washer (C)
33	6G205101	Screw (F)
34	6G484501	Cover (B)
35	6G195101	Bail Holder Nut
36	6G404601	Bail Trip Lever Spring
37	6G404701	Bail Trip Lever
38	6G194301	Brake Shoe
39	63753000	Washer (D)
40	6G193701	Screw (G)
41	6G332702	Screw (H)
42	6G229901	Bearing Retainer
43	6G482001	Ball Bearing (B)
44	6F920602	Collar (B)
45	6F641501	Clutch Cam Retainer
46	6F641401	Clutch Cam
47	63737814	Washer (E)
48	6F732203	Spacing Sleeve
49	6G314501	Roller Clutch
50	6F641101	Ball Bearing (C)
51	63737814	Washer (F)
52	6G291301	Pinion Gear
53	6H075701	Body
54	6G193103	Anti-Reverse Lever
55	6G193301	Anti-Reverse Cam Spring
56	6F131601	Collar (C)
57	6G131700	Washer (G)
58	6F747801	Oscillating Gear
59	6G230106	Rear Cover
60	6G256401	Washer (H)
61	6G400101	Screw (I)
63	6G025601	Drive Gear
64	63737800	Washer (I)
65	66316901	Ball Bearing (E)
66	6G462903	Side Cover
67	6G332902	Screw (J)
68	6G333002	Screw (K)
69	6G633501	Handle Assembly
70	6F721201	Collar (D)
71	61608101	Washer (J)
72	6F425808	Handle Screw
73	6F897101	Washer (K)