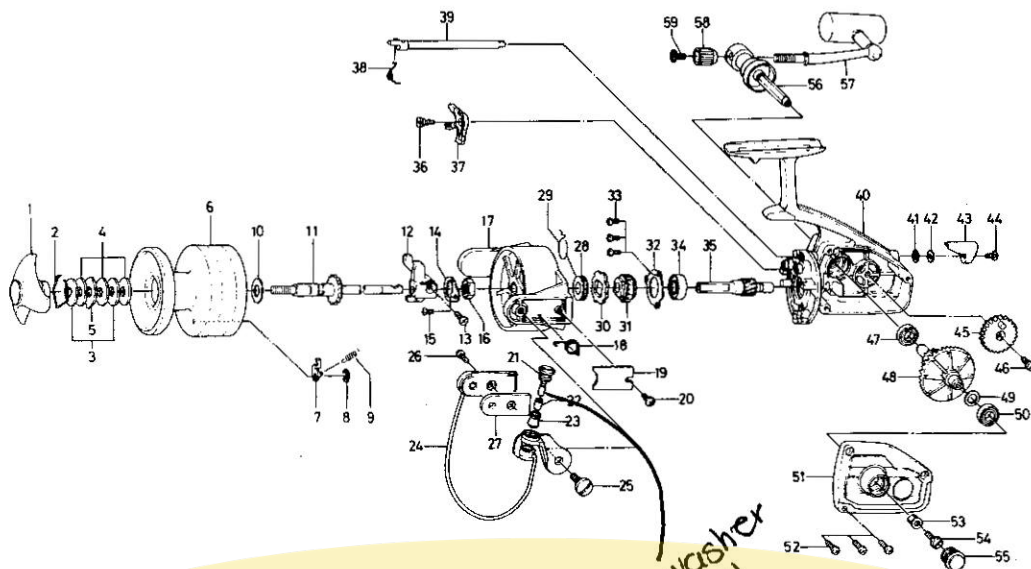


SPINNING REEL

BLACK GOLD BG-90



Roulement Casting.com
lock washer 375-4301

Key No.	Parts No.	Parts Name	Key No.	Parts No.	Parts Name
1	003-1805	Drag knob	31	B28-6601	Click gear
2	170-4101	Drag washer retainer	32	320-9501	Ball bearing ret. washer
3	372-3711	Drag D washer	33	351-6601	Ball bearing ret. washer screw
4	372-3003	Disc. washer	34	637-6101	Ball bearing
5	372-3832	Drag A washer	35	B37-9701	Pinion
6	733-1706	Spool	36	B27-2801	Anti-reverse claw screw
7	B07-8201	Spool click claw	37	B28-6701	Anti-reverse claw
8	320-1402	Spool click claw retainer	38	144-0321	Anti-reverse cam spring
9	145-2101	Spool click claw spring	39	461-5103	Anti-reverse cam
10	372-9601	Spool washer	40	B31-9502	Body
11	711-2213	Main shaft	41	372-9911	Anti-reverse lever washer A
12	480-7601	Oscillating slider	42	373-2700	Anti-reverse lever washer B
13	351-9001	Oscillating slider screw	43	540-5801	Anti-reverse lever
14	B02-1601	Rotor retaining plate	44	351-1801	Anti-reverse lever screw
15	351-7701	Rotor retaining plate screw	45	750-0411	Oscillating gear
16	340-8301	Rotor nut	46	361-9011	Oscillating gear screw
17	B37-8203	Rotor	47	636-6011	Ball bearing
18	145-0001	Bail spring	48	413-5821	Drive gear
19	633-1312	Bail spring cover	49	371-2800	Drive gear washer
20	361-6101	Bail spring cover screw	50	636-6011	Ball bearing
21	780-9101	Bail screw	51	B31-9701	Body cover
22	B40-5501	Roller metal	52	351-8801	Body cover screw
23	B40-5401	Line roller	53	501-8401	Handle screw holder
24	003-2002	Bail	54	363-8611	Handle screw
25	361-7011	Arm lever screw	55	363-4702	Handle screw cap
26	351-6101	Bail holder screw	56	747-2503	Handle stand
27	210-2901	Balancer	57	B38-0301	Handle arm
28	B27-2601	Spring holder	58	342-3102	Handle arm ret. nut
29	B27-2901	Anti-reverse claw spring	59	353-9101	Handle arm ret. nut screw
30	280-6702	Ratchet			