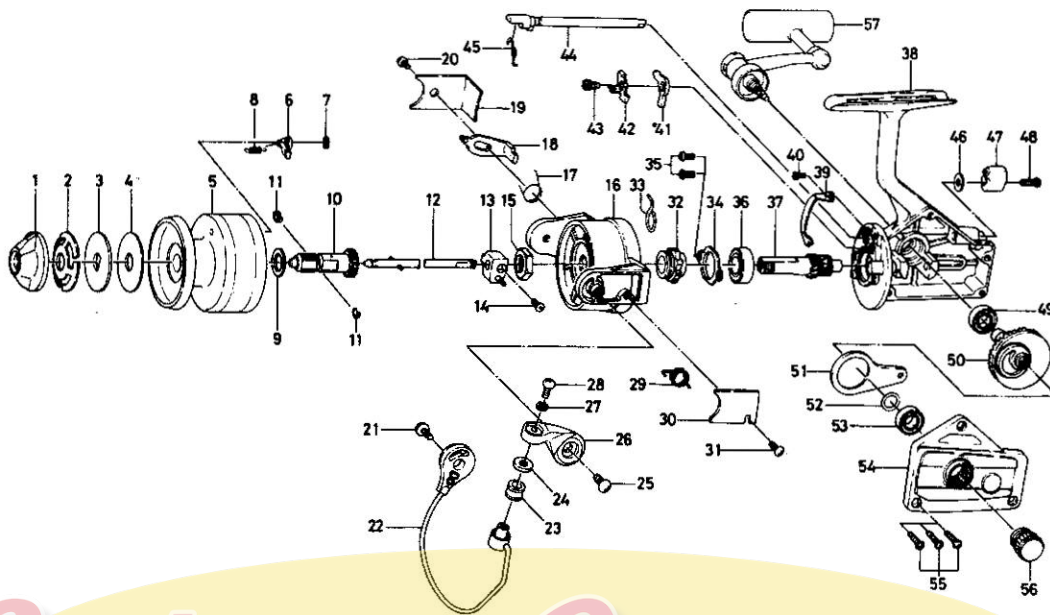


SPINNING REEL

BLACK GOLD BG-10



RoulementCasting.com

Key No.	Parts No.	Parts Name	Key No.	Parts No.	Parts Name
1	441-5301	Drag knob	30	B31-8501	Bail spring cover
2	151-7301	Drag spring washer	31	352-0401	Bail spring cover screw
3	375-6001	Drag D washer	32	280-8901	Ratchet
4	375-5902	Disc washer	33	145-0501	Anti-reverse claw spring
5	B32-1101	Spool	34	321-0801	Ball bearing ret. washer
6	B07-5302	Spool click claw	35	351-0901	Ball bearing ret. washer screw
7	320-5901	Spool click claw retainer	36	636-6401	Ball bearing
8	144-1211	Spool click claw spring	37	403-0701	Pinion gear
9	375-5701	Spool washer	38	B33-5501	Body
10	720-1331	Spool metal	39	B32-0701	Cam kick plate
11	151-7211	Spool metal leaf spring	40	363-2911	Cam kick plate screw
12	B33-5301	Main shaft	41	111-8301	Anti-reverse claw
13	636-7602	Oscillating support	42	041-6801	Anti-reverse claw plate
14	B12-8201	Oscillating slider screw	43	363-8801	Anti-reverse claw screw
15	341-9201	Rotor nut	44	461-7302	Anti-reverse cam
16	B31-8101	Rotor	45	145-2701	Anti-reverse cam spring
17	B18-8001	Bail kick cam spring	46	371-6903	Anti-reverse lever washer
18	B32-0901	Bail kick lever	47	541-6801	Anti-reverse lever
19	B31-8401	Bail kick lever cover	48	353-4401	Anti-reverse lever screw
20	352-0401	Bail kick lever cover screw	49	637-5701	Ball bearing
21	353-8201	Bail holder screw	50	413-8911	Drive gear
22	B18-8302	Bail	51	481-1801	Oscillating slider
23	250-3921	Line roller	52	375-8500	Drive gear washer
24	501-1401	Roller collar	53	637-5701	Ball bearing
25	353-8201	Arm lever screw	54	B33-5401	Body cover
26	B18-7801	Arm lever	55	353-0001	Body cover screw
27	375-1001	Bail washer	56	B03-4802	Handle screw cap
28	353-8201	Bail screw	57	B33-5901	Handle
29	B18-7701	Bail spring			