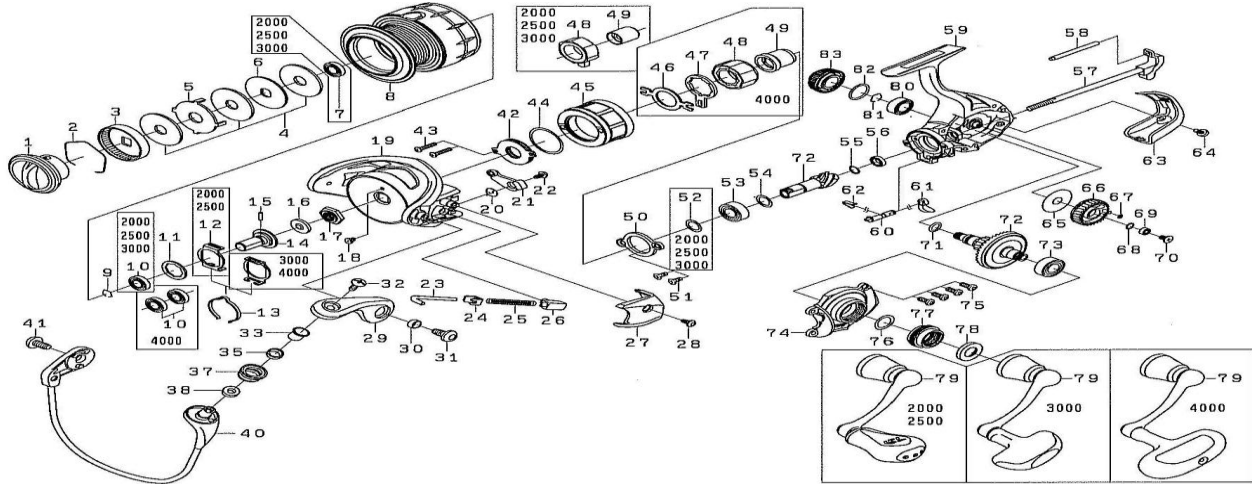




Please order by parts number, not key number  
 Veuillez indiquer le numéro de la pièce (Non "Key" No.)

# SPINNING REEL BALLISTIC EX 2000H-4000H



Key No.	BLSEX2000H Part No.	Part Name	BLSEX2500H Part No.	BLSEX3000H Part No.	BLSEX4000H Part No.
1	J09-4101	DRAG KNOB	J09-5001	J09-5001	J09-6701
2	F74-2501	DRAG WASHER RETAINER	F71-0001	F71-0001	F71-0001
3	F90-8701	DRAG KNOB CLICK PLATE	F89-5301	F89-5301	F89-5302
4	F63-5001	DRAG WASHER	F69-1001	F69-1001	F62-7101
5	F63-5201	EARED WASHER	F62-7301	F62-7301	F62-7301
6	F63-5101	KEY WASHER	F62-7201	F62-7201	H71-4001
7	E30-6801	BALL BEARING (A)	E30-6801	E30-6801	-
2-8	J09-3901	SPOOL ASSEMBLY	J09-4801	J09-5701	J09-6501
9	G47-2401	BEARING RETAINER (A)	G47-2401	G47-2401	G52-5101
10	E30-6801	BALL BEARING (B)	E30-6801	E30-6801	B86-1704
11	H80-6300	WASHER (A)	H80-6300	H80-6300	G90-3900
12	H41-6001	CLICK LEAF SPRING HOLDER	H41-6001	H41-6001	G69-4001
13	H88-3701	SPOOL CLICK LEAF SPRING	H88-3701	H88-3701	F70-9002
14	H60-1301	SPOOL METAL	H60-1301	H61-5001	H64-1501
15	G37-5001	PIN	G37-5001	G37-5001	G22-4101
16	H96-1201	PACKING (A)	H96-1201	H98-6901	H99-5201
17	H96-1101	ROTOR NUT	H96-1101	H96-1101	H99-5101
18	H02-2701	SCREW (A)	H02-2701	H02-2701	H02-2701
19	H97-4307	ROTOR	H96-0008	H98-6306	H99-4306
20	H44-3301	BAIL TRIP LEVER SPRING	H41-3601	H41-3601	H41-3601
21	H44-3401	BAIL TRIP LEVER	J03-8501	J07-2301	H99-4401
22	H41-7701	SCREW (B)	H41-7701	H41-7701	H41-7701
23	H44-3601	BAIL SPRING SHAFT	H41-4101	H57-2001	H64-0601
24	H57-6101	BAIL SPRING PLATE	H57-6101	H57-6101	H57-6101
25	H44-2401	BAIL SPRING	J08-9301	J08-9301	H82-2501
26	H41-4301	BAIL SPRING HOLDER	H41-4301	J08-9401	J08-9401
27	H97-4401	COVER (A)	H96-0201	H98-6401	H99-4601
28	H43-1301	SCREW (C)	H43-1301	H43-1301	H82-2601
29	H72-8909	BAIL ARM	H72-8909	H72-8909	H72-8909
30	H96-2401	COLLAR (A)	H96-2401	H96-2401	H96-2401
31	H43-1201	SCREW (D)	H43-1201	H43-1201	H43-1201
32	G19-5602	SCREW (E)	G19-5602	G19-5602	G19-5602
33	G19-5501	COLLAR (B)	G19-5501	G19-5501	G19-5501
35	G22-0701	COLLAR (C)	G22-0701	G22-0701	G22-0701
37	J08-9901	LINE ROLLER	J08-9901	J08-9901	J08-9901
38	G87-4201	COLLAR (D)	G87-4201	G87-4201	G87-4201
40	J09-3501	BAIL ASSEMBLY	J09-6801	J09-4301	J09-4401
41	H43-1201	SCREW (F)	H43-1201	H43-1201	H43-1201
42	H53-2602	MAGNET ASSEMBLY	H53-2602	H53-2602	J73-0701
43	H59-6501	SCREW (G)	H59-6501	H59-6501	H59-6501
44	H41-3001	"O"RING (A)	H41-3001	H41-3001	H63-9901
45	H60-9312	COVER (B)	H60-9312	H60-9312	H64-2511
46	-	-	-	-	H66-5001
47	-	-	-	-	F64-1401
48	H41-2601	ROLLER CLUTCH	H41-2601	H41-2601	G31-4501
49	H61-5501	SPACING SLEEVE	H61-5501	H61-5501	H78-2301
50	H44-2201	BEARING RETAINER (B)	H44-2201	H41-1501	H50-9101
51	G99-7301	SCREW (H)	G99-7301	G99-7301	H62-4901
52	375-8501	WASHER (B)	375-8501	375-8501	-
53	G46-7305	BALL BEARING (C)	G46-7305	G53-5105	G52-2801
54	375-8500	WASHER (C)	375-8500	375-8500	371-2800
55	H93-1701	SPRING WASHER	H93-1701	H93-1701	G57-2501
56	H95-9601	BALL BEARING (D)	H95-9601	G46-6202	G46-7102
57	H62-9201	MAIN SHAFT	H59-6001	H61-4001	J01-1501
58	H59-6301	STABILIZER BAR	H59-6301	H61-4301	H63-9301
59	J09-3301	BODY	J09-4201	J09-5101	J09-5101
60	H59-5501	ANTI-REVERSE CAM	H59-5501	H59-5501	H83-9001
61	H59-5401	ANTI-REVERSE LEVER	H59-5401	H59-5401	H59-5401
62	H69-7801	ANTI-REVERSE CAM SPRING	H69-7801	H69-7801	H69-7801
63	H59-8102	REAR COVER	H59-8102	H61-5402	H64-0102
64	H59-8201	SCREW (I)	H59-8201	H59-8201	H59-8201
65	H59-5701	WASHER (D)	H59-5701	H59-5701	G64-4201
66	H62-9101	OSCILLATING GEAR	H59-5801	H61-3501	G64-4302
67	H77-0601	"O"RING (B)	H77-0601	G46-9001	B86-1704
68	H12-9200	WASHER (E)	H12-9200	H12-9200	G52-2100
69	G46-9005	BALL BEARING (E)	G46-9005	G46-9005	G46-7105
70	G99-7001	SCREW (J)	G99-7001	G99-7001	H46-3401
71	G67-0501	"O"RING (C)	G67-0501	G67-0501	G64-5301
72	Z02-1384	PINION GEAR + DRIVE GEAR	Z02-1384	Z02-1472	Z02-1503
73	G46-7302	BALL BEARING (F)	G46-7302	G46-7302	G46-7302
74	-	SIDE COVER	J09-3601	J09-5401	J09-5401
75	H59-7701	SCREW (K)	H59-7701	H59-7701	H59-7701
76	G61-3400	WASHER (F)	G61-3400	G61-3400	G64-5600
77	H95-9901	SCREW (L)	H95-9901	H95-9901	H99-4201
78	J13-0201	PACKING (B)	J13-0201	J13-0201	H73-0801
79	J09-3701	HANDLE ASSEMBLY	J09-4601	J09-5501	J09-6301
80	G352-2703	BAL	G352-2703	G352-2703	B86-1704
81	G47-2401	BEARING RETAINER (C)	G47-2401	G47-2401	G52-5101
82	G16-2401	"O"RING (D)	G16-2401	G16-2401	G67-2401
83	H96-1501	HANDLE SCREW CAP	H96-1501	H96-1501	H99-5501