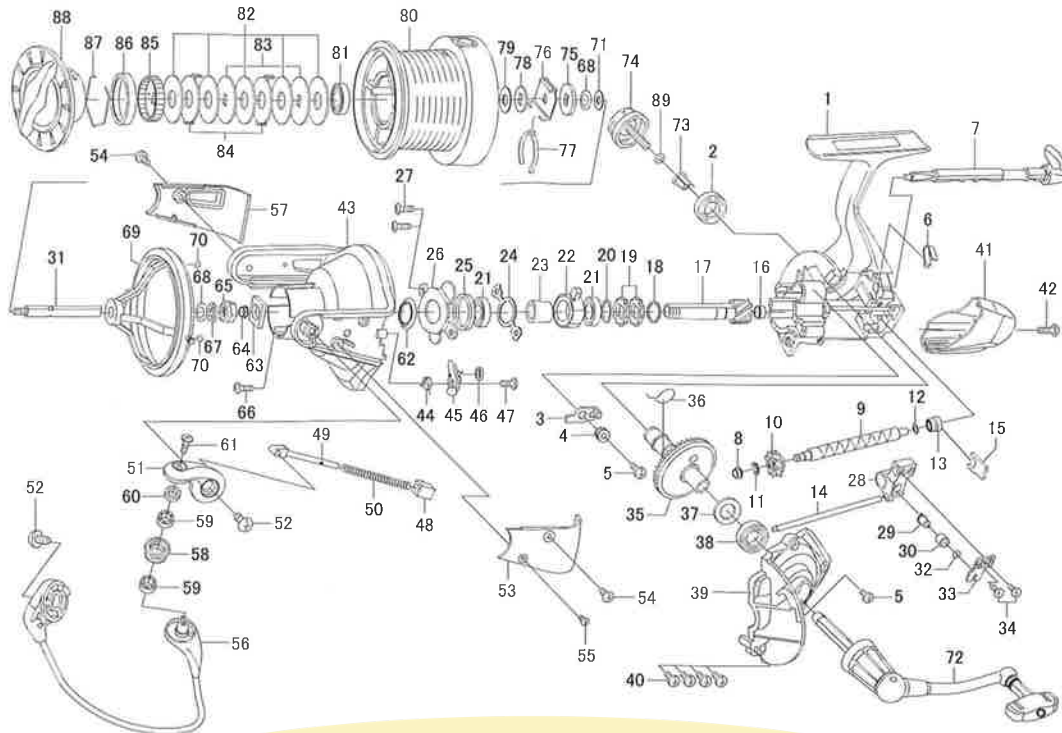




SPINNING REEL

AIRD 5500



| Key No. | Parts No. | Parts Name | Key No. | Parts No. | Parts Name |
|---------|-----------|--------------------------|---------|-----------|-------------------------|
| 1 | 6Q110501 | Body | 46 | 6G194301 | Brake Shoe |
| 2 | 6G156801 | Ball Bearing (A) | 47 | 6G193701 | Screw (F) |
| 3 | 6H354301 | Anti-Reverse Pawl | 48 | 6Q038001 | Bail Spring Holder |
| 4 | 6H354401 | Collar (A) | 49 | 6Q038101 | Bail Spring Shaft |
| 5 | 6B008601 | Screw (A) | 50 | 6Q058901 | Bail Spring |
| 6 | 6Q059001 | Anti-Reverse Cam Spring | 51 | 6Q038206 | Bail Arm |
| 7 | 6Q036701 | Anti-Reverse Cam Lever | 52 | 6G455601 | Screw (G) |
| 8 | 6H354701 | Collar (B) | 53 | 6Q044002 | Cover (A) |
| 9 | 6H359901 | Worm Shaft | 54 | 6G205101 | Screw (H) |
| 10 | 6H409001 | Worm Shaft Gear | 55 | 6G455701 | Screw (I) |
| 11 | 63205901 | Worm Shaft Retainer (A) | 56 | 6Q047701 | Bail Assembly |
| 12 | 6B411700 | Washer (A) | 57 | 6Q044102 | Cover (B) |
| 13 | 6H354801 | Collar (C) | 58 | 6G740402 | Line Roller |
| 14 | 6H354901 | Stabilizer Bar | 59 | 6H194701 | Bearing |
| 15 | 6H355001 | Worm Shaft Retainer (B) | 60 | 6H049901 | Collar (G) |
| 16 | 6G400401 | Collar (D) | 61 | 6E454007 | Screw (J) |
| 17 | 6H408901 | Pinion Gear | 62 | 6H446101 | Packing |
| 18 | 6E339701 | Washer (B) | 63 | 6G392201 | Plate |
| 19 | 6G176702 | Ratchet | 64 | 6H357401 | Collar (H) |
| 20 | 6Q059201 | Washer (C) | 65 | 6H050001 | Rotor Nut |
| 21 | 6B546003 | Ball Bearing (B) | 66 | 6G171402 | Screw (K) |
| 22 | 6G845601 | Roller Clutch | 67 | 63201611 | Retainer |
| 23 | 6H355201 | Spacing Sleeve | 68 | 6G878201 | Spring Washer |
| 24 | 6H355301 | Clutch Cam Retainer | 69 | 6Q038802 | Line Guard |
| 25 | 6Q059101 | Collar (E) | 70 | 6Q066601 | "O" Ring |
| 26 | 6H355501 | Bearing Retainer | 71 | 6G408301 | Washer (F) |
| 27 | 6L001801 | Screw (B) | 72 | 6Q047901 | Handle Assembly |
| 28 | 6H355601 | Oscillating Slider | 73 | 6F409001 | Collar (I) |
| 29 | 6H355701 | Oscillating Pawl | 74 | 6H477501 | Handle Screw |
| 30 | 6H355801 | Collar (F) | 75 | 6E267501 | Washer (G) |
| 31 | 6H497401 | Main Shaft | 76 | 6H050601 | Cap |
| 32 | 63750800 | Washer (D) | 77 | 6F704902 | Spool Click Leaf Spring |
| 33 | 6H356001 | Oscillating Slider Cover | 78 | 6F043402 | Washer (H) |
| 34 | 63521505 | Screw (C) | 79 | 6E399200 | Washer (I) |
| 35 | 6H408701 | Drive Gear | 80-87 | 6Q110701 | Spool Assembly |
| 36 | 6H356201 | Anti-Reverse Pawl Spring | 81 | 6G467105 | Ball Bearing (D) |
| 37 | 6B270700 | Washer (E) | 82 | 6Q065301 | Drag Washer |
| 38 | 6G426301 | Ball Bearing (C) | 83 | 6F881702 | Key Washer |
| 39 | 6Q110601 | Side Cover | 84 | 6F755701 | Eared Washer |
| 40 | 6G410701 | Screw (D) | 85 | 6G421401 | Drag Ratchet |
| 41 | 6Q037502 | Rear Cover | 86 | 6H496501 | Collar (J) |
| 42 | 6G270801 | Screw (E) | 87 | 6F884001 | Drag Washer Retainer |
| 43 | 6Q037606 | Rotor | 88 | 6Q111001 | Drag Knob |
| 44 | 6Q048801 | Bail Trip Lever Spring | 89 | 6G823802 | Washer (J) |
| 45 | 6Q037701 | Bail Trip Lever | | | |