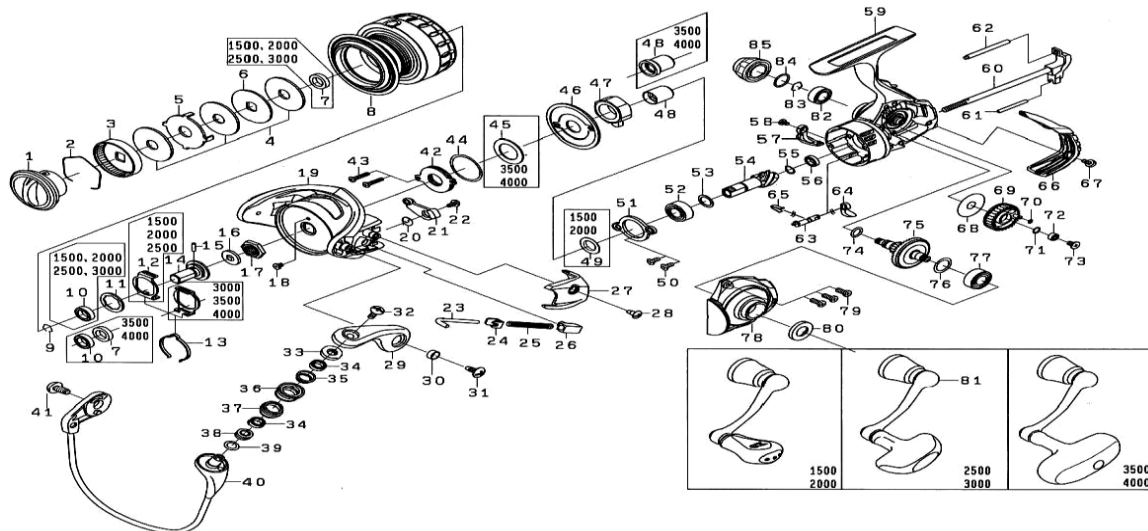


DAWA SPINNING REEL

SALTIST 2500-4000

Please order by parts number, not key number
Veuillez indiquer le numéro de la pièce (Non "Key" No.)



Key No.	Part Name	SALTIST2500 Part No.	SALTIST3000 Part No.	SALTIST4000 Part No.
1	DRAG KNOB	J29-0601	J29-0601	J06-7402
2	DRAG WASHER RET	F71-0001	F71-0001	F71-0001
3	DRAG KNOB CLICK PLT	F89-5301	F89-5301	F89-5302
4	DRAG WASHER	H80-6503	H80-6703	J23-0103
5	EARED WASHER	F63-5201	F62-7201	F62-7301
6	KEY WASHER	F63-5101	F62-7201	H71-4001
7	COLLAR	H62-4801	H62-4801	G74-7401
2-8	SPOOL ASSEMBLY	J41-8801	J41-9601	J42-0501
9	BEARING RET	G47-2401	G47-2401	G52-5101
10	BALL BEARING	G81-8902	G81-8902	G43-1006
11	WASHER	H80-6301	H80-6301	G90-3901
12	CLICK HOLDER	H41-6001	H41-6001	G69-4001
13	CLICK LEAF SPRING	H88-3701	H88-3701	F70-9002
14	SPOOL METAL	H71-7701	H61-5003	H64-1501
15	PIN	G37-5001	G37-5001	G22-4101
16	PACKING	H98-6901	H98-6901	H99-5201
17	ROTOR NUT	H96-1101	H96-1101	H99-5101
18	SCREW	H02-2701	H02-2701	H02-2701
19	ROTOR	H96-0034	H98-6327	H99-4329
20	BAIL TRIP LEVER SPRING	H41-3601	H41-3601	H41-3601
21	BAIL TRIP LEVER	J03-8501	J07-2301	H99-4401
22	SCREW	H41-7701	H41-7701	H41-7701
23	BAIL SPRING SHAFT	H41-4101	H57-2001	H64-0601
24	BAIL SPRING PLT	H57-6101	H57-6101	H57-6101
25	BAIL SPRING	H54-5701	J08-9301	H64-0701
26	BAIL SPRING HOLDER	H41-4301	J08-9401	J08-9401
27	COVER (A)	H96-0201	H98-6401	H99-4601
28	SCREW	G27-0801	G27-0801	G27-0801
29	BAIL ARM	H96-0117	H96-0117	H96-0117
30	COLLAR	H96-2401	H96-2401	H96-2401
31	SCREW	G20-5001	G20-5001	G20-5001
32	SCREW	H69-7701	H69-7701	H69-7701
33	MAGNET COLLAR	H74-4001	H74-4001	H74-4001
34	BALL BEARING	G68-6903	G68-6903	G68-6903
35	COLLAR	H74-3901	H74-3901	H74-3901
36	LINE ROLLER	H74-3801	H74-3801	H74-3801
37	COLLAR	H74-3701	H74-3701	H74-3701
38	MAGNET COLLAR	H74-3401	H74-3401	H74-3401
39	WASHER (0.1MM)	B41-1703	B41-1703	B41-1700
40	BAIL	J21-5101	J41-9401	J42-0101
41	SCREW	G20-5001	G20-5001	G20-5001
42	MAGNET HOLDER	H53-2602	H53-2602	J28-9301
43	SCREW	J00-1601	J00-1601	J00-1601
44	O RING	J21-2501	J21-2501	J21-2901
45	WASHER	-	-	J23-8801
46	SEALED CAP	J10-0301	J10-0301	J10-0501
47	ROLLER CLUTCH	H41-2601	H41-2601	J30-9101
48	SPACING SLEEVE	J00-1402	J00-1402	J39-7301
50	SCREW	J00-0901	J00-0901	J00-0901
51	BEARING RET	H44-2201	H41-1501	J02-0801
52	BALL BEARING	G46-7305	G53-5105	G52-2803
53	WASHER	375-8502	375-8502	371-2800
54+75	PINION-DRIVE GEAR UNIT	Z02-3102	Z02-3105	Z02-3097
55	WASHER	H93-1701	H93-1701	G57-2501
56	BALL BEARING	H95-9602	G46-6205	G46-7104
57	BAIL TRIP PLT	J00-1101	J00-1101	J02-1001
58	SCREW	G94-0402	G94-0402	G94-0402
59	BODY	J41-7201	J41-9001	J41-9801
60	MAIN SHAFT	J14-0701	J14-0801	J14-0901
61	STABILIZER BAR	J08-4801	J08-4802	J08-4803
62	STABILIZER BAR	H61-4301	H61-4301	H61-4301
63	A/R CAM	H59-5501	H59-5501	J02-0501
64	A/R LEVER	H59-5401	H59-5401	H59-5401
65	A/R CAM SPRING	H69-7801	H69-7801	H69-7801
66	REAR COVER	J35-5702	J36-3705	J36-2104
67	SCREW	J00-1801	J00-1801	J00-1801
68	WASHER	H59-5701	H59-5701	G64-4201
69	OSC GEAR	H59-5801	H61-3901	G64-4302
70	O RING	H77-0601	G46-6001	B85-3101
71	WASHER	H12-9201	H12-9201	G52-2100
72	BALL BEARING	G46-9007	G46-9007	G46-7104
73	SCREW	G94-0402	G94-0402	H27-2302
74	O RING	G67-0501	G67-0501	G64-5301
76	WASHER	375-8502	373-8502	373-7800
77	BALL BEARING	G46-7305	G46-7305	G52-3406
78	BODY COVER	J41-7501	J41-9301	J42-0001
79	SCREW	G33-2904	G33-2904	G33-2904
80	PACKING	J13-0201	J13-0201	J39-7201
81	HANDLE ASSEMBLY	J41-8601	J41-8601	J42-0301
82	BALL BEARING	G52-2705	G52-2705	G43-1006
83	BEARING RET	G47-2401	G47-2401	G52-5101
84	O RING	G16-2401	G16-2401	G67-2401
85	HANDLE SCREW CAP	J41-8101	J41-8101	J39-7803