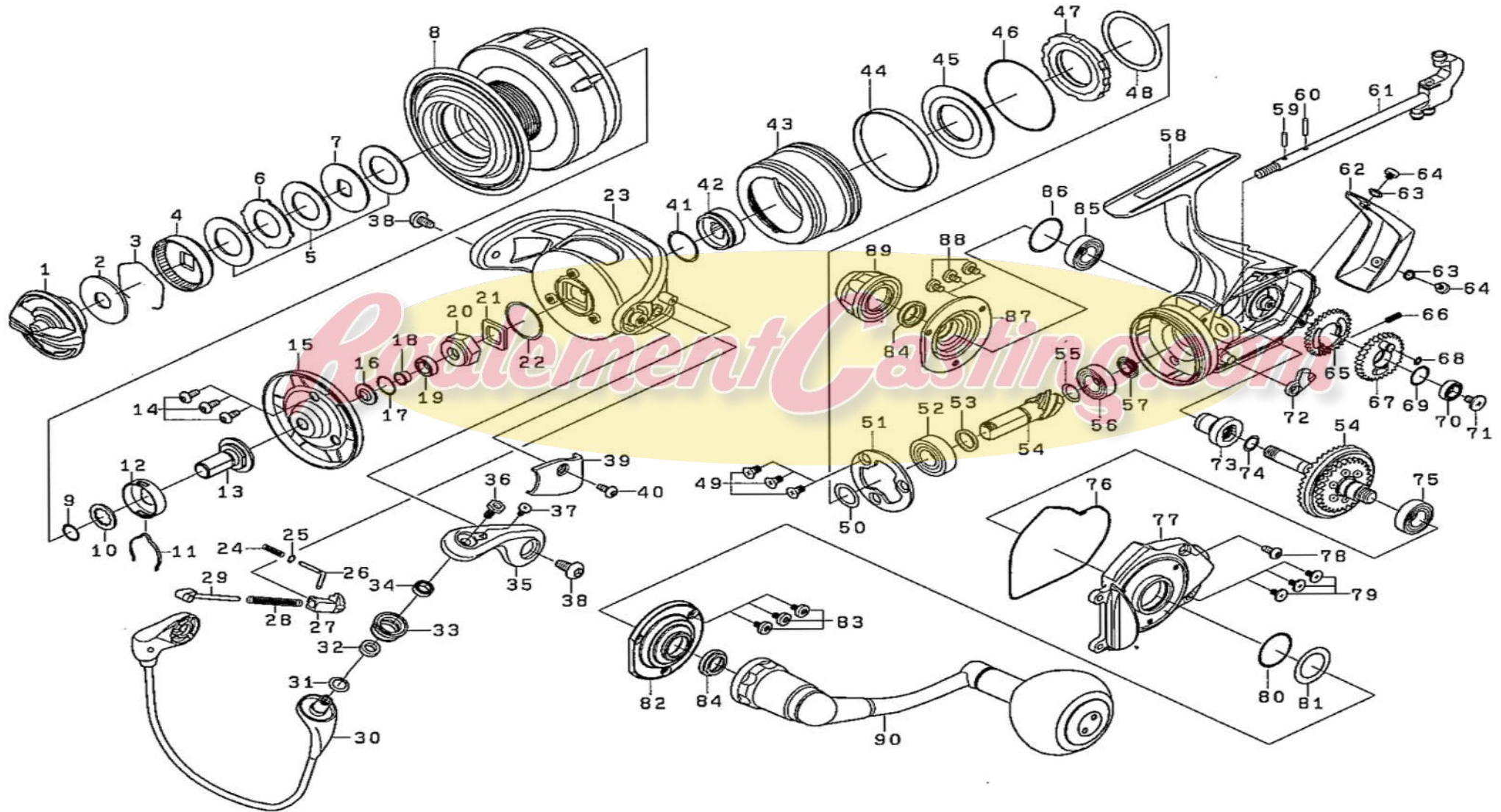




# 2016 CATALINA 5000





## 2016 CATALINA 5000

Key No.	Part Number	Description	Key No.	Part Number	Description
1	6J216702	DRAG KNOB	46	6H502601	MAGSEALED PLATE O RING
2	6H616701	DRAG KNOB WASHER	47	6F765401	ONE WAY CLUTCH
3	6F710001	DRAG KNOB RING	48	6G158101	ONE WAY CLUTCH WASHER
4	6G165603	DRAG KNOB RACHET	49	6F206902	PINION BEARING(A)PLATE SCREW
5	6H247202	ATD DRAG WASHER	50	63712829	PINION BEARING WASHER
6	6G162702	DRAG LIP WASHER	51	6H501901	PINION BEARING(A)PLATE
7	6G165902	DRAG DISK WASHER	52	66355001	PINION BALL BEARING(A)
8	6J326901	SPOOL ASSY(2-7)	53	6H501801	PINION BEARING(A)COLLAR
9	6G163201	SPOOL METAL RING	54	6Z022143	PINION+DRIVE GEAR SET
10	6H505300	SPOOL WASHER	55	6G578501	PINION BALL BEARING(B)WASHER
11	6B747701	CLICK LEAR SPRING	56	6G522702	PINION BALL BEARING(B)
12	6E122301	CLICK HOLDER	57	6H501601	PINION BEARING(B)COLLAR
13	6G203803	SPOOL METAL RING	58	6J326701	BODY ASSY
14	6H503901	ROTOR COVER SCREW	59	6G224101	SPOOL METAL PIN
15	6H505101	ROTOR COVER	60	6G162801	MAIN SHAFT PIN
16	6H505001	ROTOR NUT PACKING	61	6J327201	MAIN SHAFT
17	6G522103	ROTOR NUT WASHER	62	6H771302	REAR CAP
18	6H504901	ROTOR NUT COLLAR	63	6E096505	REAR CAP SCREW WASHER
19	6G467102	ROTOR NUT BALL BEARING	64	6H798201	REAR CAP SCREW
20	6H504801	ROTOR NUT	65	6G157301	OSCILLATING GEAR(A)
21	6G392201	ROTOR NUT PLATE	66	6G157401	OSCILLATING GEAR(A)SPRING
22	6H501001	ROTOR NUT O RING	67	6H501201	OSCILLATING GEAR(B)
23	6H503202	ROTOR	68	6G213001	OSCILLATING GEAR(B)RING
24	6H503401	ROTOR BRAKE SPRING	69	6G522100	WASHER
25	6G685401	ROTOR BRAKE WASHER	70	6G467102	OSCILLATING GEAR BALL BEARING
26	6H503301	ROTOR BRAKE SHAFT	71	6H272201	OSCILLATING GEAR SCREW
27	6H503501	ARM LEVER SPRING COLLAR	72	6G159301	STOPPER
28	6H809101	ARM LEVER SPRING	73	6H500802	OSCILLATING GEAR(C)
29	6G017504	ARM LEVER SHAFT	74	6G252201	OSCILLATING GEAR(C)O RING
30	6H504001	BAIL ASSY	75	6G522802	DRIVE BALL BEARING
31	6E096500	ROLLER WASHER	76	6H502101	BODY COVER PACKING
32	6J042801	ROLLER COLLAR	77	6H502014	BODY COVER
33	6J042901	LINE ROLLER	78	6G160101	BODY COVER SCREW(A)
34	6J019302	ROLLER BALL BEARING	79	6H505201	BODY COVER SCREW(B)
35	6H503605	ARM LEVER	80	6H501001	DRIVE BALL BEARING O RING
36	6H504701	ROLLER SCREW	81	6H502200	DRIVE WASHER
37	6H842801	ROLLER LOCK SCREW	82	6J326301	DRIVE BEARING COVER(L)
38	6H503701	HOLDER SCREW	83	6G946801	DRIVE BEARING COVER SCREW
39	6H503801	ARM LEVER SPRING COVER	84	6H770901	HANDLE PACKING
40	6H503901	COVER SCREW	85	6G522802	DRIVE BALL BEARING
41	6H255001	CLUTCH RING O RING	86	6H501001	DRIVE BALL BEARING O RING
42	6H502301	CLUTCH RING O RING	87	6J326201	DRIVE BEARING COVER(R)
43	6H502905	INFINIT COVER	88	6G946801	DRIVE BEARING COVER SCREW
44	6H629701	INFINIT COVER O RING	89	6H506201	HANDLE CAP
45	6H535301	MAGSEALED PLATE	90	6J326801	HANDLE ASSY
200	63753005	HANDLE KNOB WASHER	204	6E454003	HANDLE KNOB SCREW
201	6F648301	HANDLE KNOB COLLAR	205	6H318307	HANDLE CAP COLLAR
202	6H425507	HANDLE KNOB COLLAR	206	6J327101	HANDLE KNOB CAP(WITH O RING)
203	6G466206	HANDLE KNOB BALL BEARING	207	6H100001	HANDLE KNOB CAP ORING