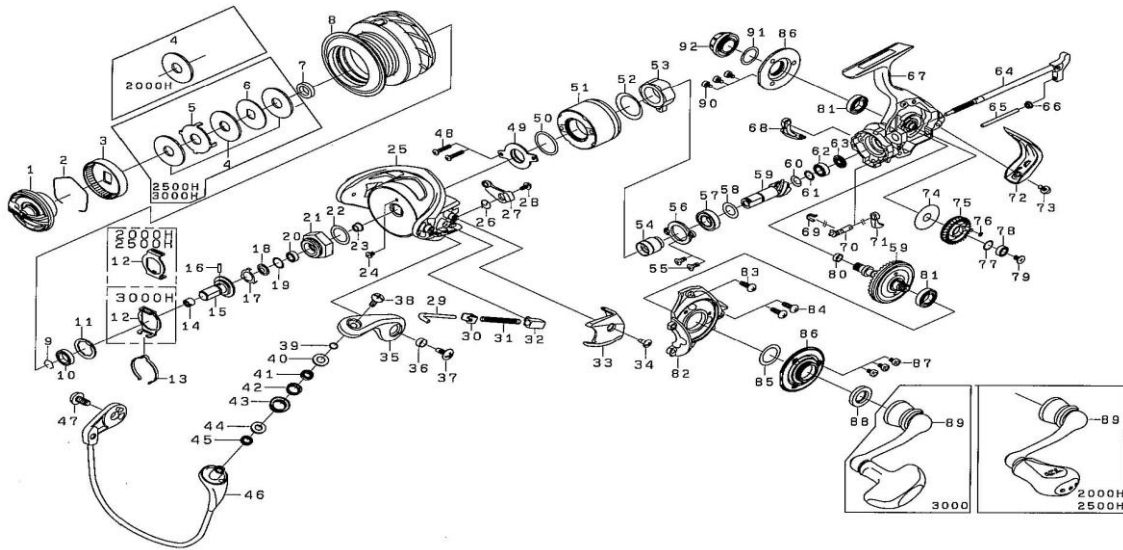


# DAWA

## SPINNING REEL

# LUVIAS 2000-3000H

Please order by parts number, not key number  
 Veuillez indiquer le numéro de la pièce (Non "Key" No.)



Key No.	LUVIAS2000H Part No.	Part Name	LUVIAS 2500H Part No.	LUVIAS 3000H Part No.
1	J23-5401	DRAG KNOB	J21-7801	J21-7801
2	F74-2501	DRAG WASHER RET	F71-0001	F71-0001
3	F90-8703	DRAG KNOB CLICK PLT	F89-5307	F89-5307
4	J39-8201	ATD-DRAG WASHER KIT	J39-8301	J39-8501
5	-	EARED WASHER	F69-5201	F62-5301
6	-	KEY WASHER	F63-5101	F62-7201
7	H41-6301	DRAG COLLAR	H41-6301	H41-6301
2-8	J43-0801	SPOOL ASSEMBLY	J43-1101	J43-1401
9	G47-2401	BARING RET	G47-2401	G47-2401
10	G81-8902	DRAG COLLAR	G81-8902	G81-8902
11	H80-6300	WASHER A	H80-6300	H80-6300
12	H41-6001	CLICK HOLDER	H41-6001	H41-6001
13	H41-6101	CLICK LEAF SPRING	H41-6101	H41-6101
14	J18-0801	SPOOL METAL NUT	J18-0801	J18-0801
15	H41-5901	SPOOL METAL	H41-5901	J18-1401
16	G37-6001	BEARING RET	G37-6001	H41-3601
17	G47-1501	PACKING	G47-1501	G47-1501
18	H41-5701	WASHER	H41-5701	H46-1201
19	G46-6103	BALL BEARING	G46-6103	G46-6103
20	G46-6205	ROTOR NUT	G46-6205	G46-6205
21	H80-6201	WASHER	H80-6201	H80-5801
22	372-7601	COLLAR	371-2824	371-2824
23	H85-4701	SCREW	H85-4801	H85-4901
24	H02-2701	ROTOR	H02-2701	H02-2701
25	H97-4314	BAIL TRIP LEVER SPRING	H96-0016	H98-6317
26	H44-3501	BAIL TRIP LEVER	H41-3601	H41-3601
27	H44-3401	SCREW	J03-8501	J07-2301
28	H41-7701	BAIL SPRING SHAFT	H41-7701	H41-7701
29	H44-3601	BAIL SPRING PLT	H41-4101	H57-2001
30	H57-6101	BAIL SPRING	H57-6101	H57-6101
31	H41-4301	BAIL SPRING HOLDER	H54-5701	J08-9301
32	H97-4401	COVER (A)	H41-4301	J08-9301
33	G27-0801	SCREW	H96-0201	H98-6401
34	H96-0104	BAIL ARM	G27-0801	G27-0801
35	H96-2401	COLLAR	H96-0104	H96-0104
36	G20-5001	SCREW	H96-2401	H96-2401
37	H69-7701	SCREW	G20-5001	G20-5001
38	H96-1001	COLLAR	H69-7701	H69-7701
39	H03-8301	PACKING (B)	H96-1001	H96-1001
40	G68-6903	BALL BEARING	H03-8301	H03-8301
41	H96-0901	COLLAR E	G68-6903	G68-6903
42	G68-6703	LINE ROLLER	H96-0901	H96-0901
43	H96-0801	COLLAR	G68-6703	G68-6703
44	H96-0701	COLLAR	H96-0801	H96-0801
45	H97-4501	BAIL ASSEMBLY	H96-0701	H96-0701
46	G20-5001	SCREW	H96-0301	H98-6501
47	H59-6502	MAGNET ASSEMBLY	G20-5001	G20-5001
48	J35-4401	O RING (A)	H59-6502	H59-6502
49	J35-4801	COVER (B)	J35-4401	J35-4401
50	J43-1802	WASHER	J35-4801	J35-4801
51	H97-9201	ROLLER CLUTCH	J43-1802	J43-1802
52	H41-2601	PACING SLEEVE	H97-9201	H97-9201
53	H87-9601	SCREW	H41-2601	H41-2601
54	G99-7301	BEARING RET	H87-9601	H87-9601
55	H73-9101	BALL BEARING	G99-7301	G99-7301
56	G27-9602	WASHER	H73-9101	H73-0101
57	375-8500	PINION + DRIVE GEAR UNIT	G27-9602	G27-9602
58	Z02-1279	SPRING WASHER	375-8500	H41-1400
59	H81-4900	WASHER	Z02-1279	Z02-1642
60	E09-6500	BALL BEARING	H81-4900	G57-2500
61	H73-8902	COLLAR	E09-6500	375-5200
62	H41-1201	MAIN SHAFT	H73-8902	G46-7101
63	J18-0601	STABILIZER BAR	H41-1201	H45-9401
64	H73-8801	COLLAR	J18-0601	J18-0601
65	J21-7201	BODY	H73-8801	H73-8201
66	H75-4301	BAIL TRIP PLT	J21-7201	H77-8801
67	H80-9201	A/R CAM SPRING	H73-7801	J23-6101
68	H73-8701	A/R CAM	H80-9201	H73-7801
69	H41-0106	A/R LEVER	H73-8701	H80-9201
70	H83-6703	REAR COVER	H41-0106	H75-8201
71	H83-6801	SCREW	H83-6703	H41-0106
72	H60-7902	WASHER	H83-6801	H85-0703
73	H78-8901	OSC GEAR	H60-7902	H85-0801
74	G68-8301	WASHER	H78-8901	H54-5402
75	H12-9200	BALL BEARING	G68-8301	H45-8902
76	G46-9005	SCREW	H12-9200	G86-9601
77	G99-7001	SCREW	G46-9005	G46-6100
78	H45-5601	RING	G99-7001	G46-6202
79	H73-9703	BALL BEARING	H45-5601	G99-7001
80	H74-0108	SIDE COVER	H73-9703	H45-9901
81	351-1010	SCREW	H74-0108	H73-9703
82	G99-7701	SCREW	351-1010	H77-9505
83	G46-8000	WASHER	G99-7701	351-1010
84	J23-6201	BODY COVER	G46-8000	G99-7701
85	H74-0301	SCREW	J23-6201	G46-8000
86	H86-6201	PACKING	H74-0301	J23-6201
87	J43-1001	HANDLE ASSEMBLY	H86-6201	H74-0301
88	H74-0002	SCREW	J43-1001	H86-6201
89	G39-9702	O RING	H74-0002	J43-1301
90	H74-5101	HANDLE SCREW CAP	G39-9702	H74-0002
91	-	-	H74-5101	G39-9702
92	-	-	-	H74-5101