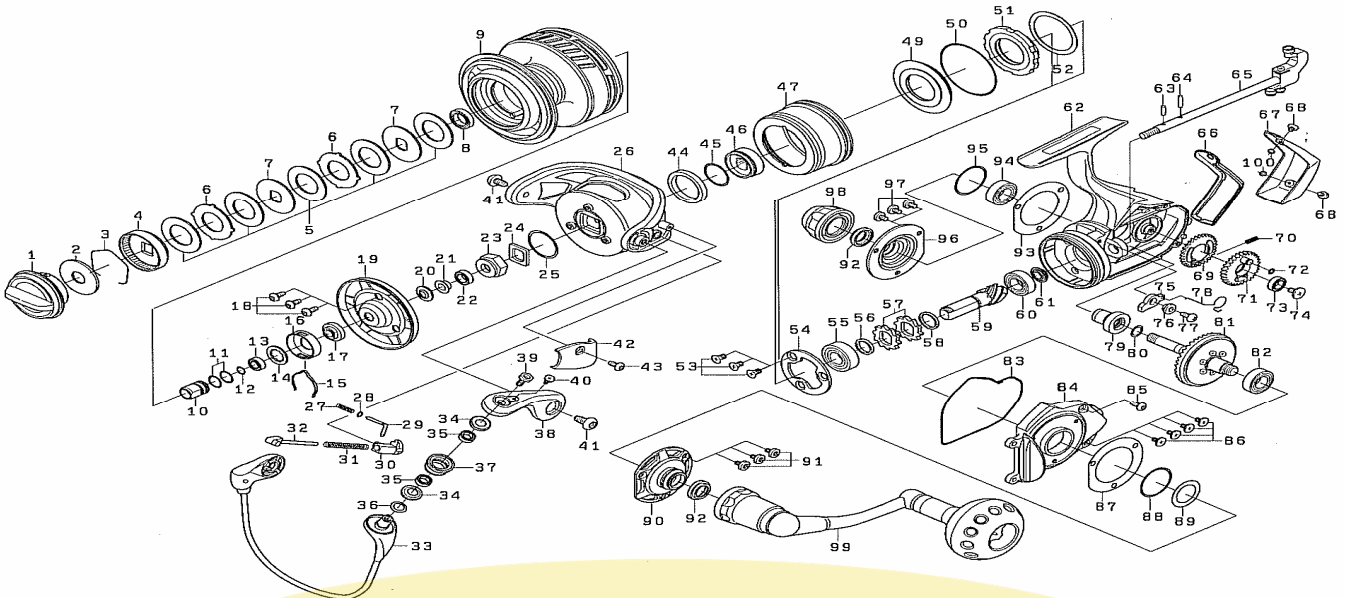


Please order by parts number, not key number
 Veuillez indiquer le numéro de la pièce (Non "Key" No.)



SPINNING REEL

SALTIGA 6500H



Key No.	Parts No.	Parts Name	Key No.	Parts No.	Parts Name
1	H50-6801	DRAG KNOB AS	51	F76-5401	ONEWAY CLUTCH
2	H61-6701	WASHER	52	F19-7302	WASHER
3	F71-0001	RING	53	F20-6902	FLAT HEAD SCREW
4	G16-5603	RATCHET	54	H50-1901	PLATE
5	H24-7202	WASHER	55	G42-6301	BALL BEARING
6	G16-5902	WASHER	56	H68-3501	COLLAR
7	G16-2702	WASHER	57	E26-2701	RATCHET
8	G15-6801	BALL BEARING	58	372-7603	WASHER
2~9	H68-6401	SPOOL AS	59,81	Z02-0536	GEAR UN
10	G33-9202	SPOOL METAL	60	B86-1703	BALL BEARING
11	G33-9401	O-RING	61	H68-3001	COLLAR
12	G33-9101	O-RING	62	H68-2201	BODY AS
13	G31-4901	BALL BEARING	63	G33-9301	PIN
14	G34-1500	WASHER	64	G33-8901	PIN
15	G34-1401	LEAF SPRING	65	H68-2701	OSCILLATINGSLIDER AS
16	G34-1301	CAP	66	H68-4301	PACKING
17	G33-9001	SPOOL METAL	67	H68-4401	CAP
18	H50-3901	SCREW	68	G94-6802	SCREW
19	H68-5701	COLLAR	69	G33-4901	GEAR
20	H68-5601	PACKING	70	G15-7401	SPRING
21	H68-5501	COLLAR	71	H68-2601	OSCILLATE GEAR
22	B86-1702	BALL BEARING	72	G21-3001	O-RING
23	H68-5401	NUT	73	B86-1702	BALL BEARING
24	H68-5301	PLATE	74	H34-7101	SCREW
25	F27-4501	O-RING	75	H68-3601	STOPPER AS
26	H68-4501	ROTOR	76	G33-6201	COLLAR
27	H78-2801	SPRING	77	351-6413	SCREW
28	E27-2501	WASHER	78	G33-6601	SPRING
29	H68-4601	SHAFT	79	G33-4702	GEAR
30	H68-4701	COLLAR	80	G33-6701	O-RING
31	G41-8101	SPRING	82	G42-6301	BALL BEARING
32	G33-7301	KICK ARM	83	H68-3901	PACKING
33	H68-4901	BAIL AS	84	H68-3801	BODY COVER
34	G16-2001	PACKING	85	G16-0101	SCREW
35	G37-0905	BALL BEARING	86	H50-5201	SCREW
36	E09-6500	WASHER	87	H68-2401	NAME PLATE
37	H79-4601	LINE ROLLER	88	H03-6301	O-RING
38	H50-3603	ARM LEVER	89	H68-4000	WASHER
39	H50-4701	SCREW	90	H68-2501	BODY COVER(A)
40	H53-1501	SCREW	91	G94-6801	SCREW
41	H50-3701	SCREW	92	H68-5801	PACKING
42	H68-4801	COVER(A)	93	H68-2401	NAME PLATE
43	H50-3901	SCREW	94	G42-6301	BALL BEARING
44	H68-7201	WASHER	95	H03-6301	O-RING
45	G33-8401	O-RING	96	H68-2501	BODY COVER(A)
46	H68-8601	CLUTCH RING	97	G94-6801	SCREW
47	H71-9401	NUT AS	98	H68-6301	CAP
49	H53-5301	MAGNET AS	99	H68-5901	HANDLE AS
50	H50-2601	O-RING	100	G68-4801	WASHER