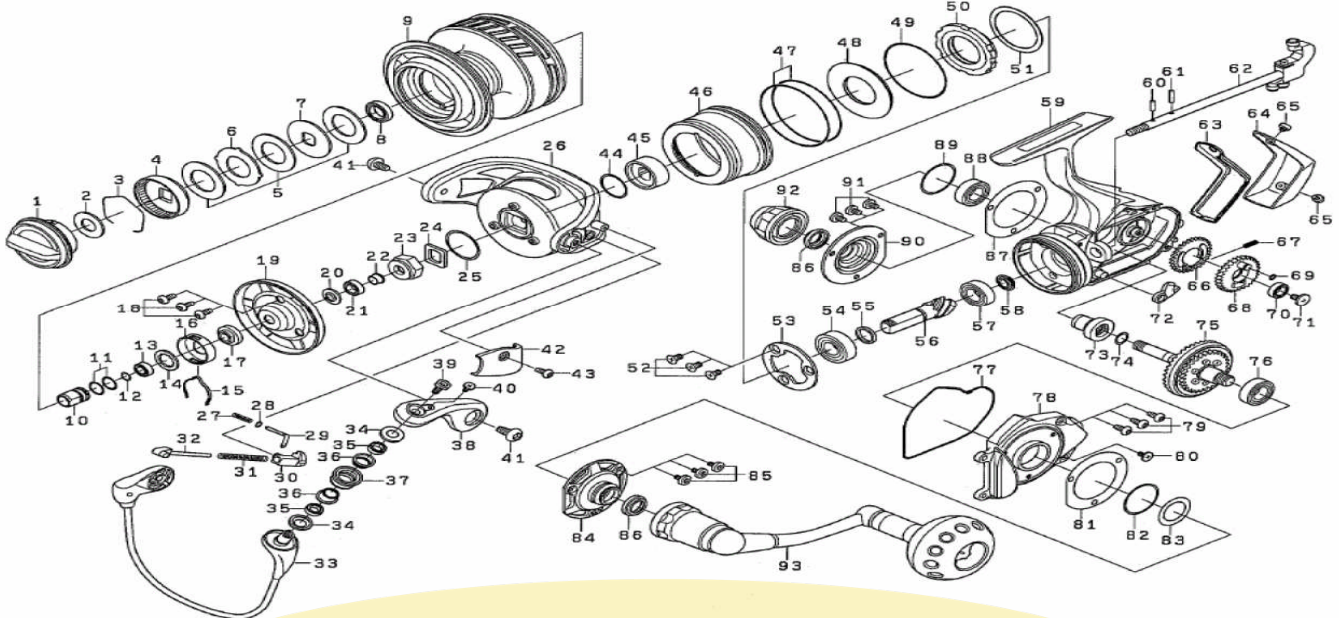


Please order by parts number, not key number  
 Veuillez indiquer le numéro de la pièce (Non "Key" No.)



# SPINNING REEL

# SALTIGA 4500H/5000H



Key No.	4500H Part No.	5000H Part No.	Parts Name	Key No.	4500H Part No.	5000H Part No.	Parts Name
1	H50-6801	H50-6801	DRAG KNOB ASSEMBLY	52	F20-6902	F20-6902	FLAT HEAD SCREW
2	H61-6701	H61-6701	WASHER	53	H50-1901	H50-1901	PLATE
3	F71-0001	F71-0001	RING	54	G35-5001	G35-5001	BALL BEARING
4	G16-5603	G16-5603	RATCHET	55	H50-1801	H50-1801	COLLAR
5	H24-7202	H24-7202	WASHER	56	Z02-0216	Z02-0216	GEAR UNIT
6	G16-5901	G16-5901	WASHER	57	G52-2702	G52-2702	BALL BEARING
7	G16-2701	G16-2701	WASHER	58	H50-1601	H50-1601	COLLAR
8	E45-3901	E45-3901	BALL BEARING	59	H50-0603	H50-0603	BODY ASSEMBLY
9	H55-7801	H55-7601	SPOOL ASSEMBLY	60	G22-4101	G22-4101	PIN
10	G16-3101	G16-3101	SPOOL METAL	61	G16-2801	G16-2801	PIN
11	G16-3201	G16-3201	O-RING	62	H50-1301	H50-1301	OSCILLING SLIDER AS
12	G16-3001	G16-3001	O-RING	63	H50-3001	H50-3001	PACKING
13	B35-8601	B35-8601	BALL BEARING	64	H50-3101	H50-3101	CAP
14	H50-5301	H50-5301	WASHER	65	G94-6802	G94-6802	SCREW
15	B74-7701	B74-7701	LEAF SPRING	66	G59-1501	G59-1501	GEAR
16	E12-2301	E12-2301	CAP	67	G15-7401	G15-7401	SPRING
17	G16-2901	G16-2901	SPOOL METAL	68	H55-7401	H55-7401	OSCILLATE GEAR
18	H50-3901	H50-3901	SCREW	69	G21-3001	G21-3001	O-RING
19	H50-5101	H50-5101	COLLAR	70	G46-7102	G46-7102	BALL BEARING
20	H50-5001	H50-5001	PACKING	71	H27-2201	H27-2201	SCREW
21	G46-7102	G46-7102	BALL BEARING	72	G15-9301	G15-9301	STOPPER ASSEMBLY
22	H50-4901	H50-4901	COLLAR	73	H50-0801	H50-0801	GEAR
23	H50-4801	H50-4801	NUT	74	G25-2201	G25-2201	O-RING
24	G39-2201	G39-2201	PLATE	75	Z02-0216	Z02-0216	GEAR UNIT
25	H50-1001	H50-1001	O-RING	76	G52-2802	G52-2802	BALL BEARING
26	H50-3201	H50-3201	ROTOR	77	H50-2101	H50-2101	PACKING
27	H50-3401	H50-3401	SPRING	78	H50-2002	H50-2002	BODY COVER
28	G68-5401	G68-5401	WASHER	79	G16-0101	G16-0101	SCREW
29	H50-3301	H50-3301	SHAFT	80	H50-5201	H50-5201	SCREW
30	H50-3501	H50-3501	COLLAR	81	H53-2401	H53-2401	NAME PLATE
31	G16-0401	G16-0401	SPRING	82	H50-1001	H50-1001	O-RING
32	G01-7503	G01-7503	KICK ARM	83	H50-2201	H50-2201	WASHER
33	H50-4001	H50-4001	BAIL AS	84	H53-2501	H53-2501	BODY COVER(A)
34	G16-2001	G16-2001	PACKING	85	G94-6801	G94-6801	SCREW
35	G37-0905	G37-0905	BALL BEARING	86	H50-5401	H50-5401	PACKING
37	H50-4501	H50-4501	LINE ROLLER	87	H53-2401	H53-2401	NAME PLATE
38	H50-3601	H50-3601	ARM LEVER	88	G52-2802	G52-2802	BALL BEARING
39	H50-4701	H50-4701	SCREW	89	H50-1001	H50-1001	O-RING
40	H53-1501	H53-1501	SCREW	90	H50-1101	H50-1101	BODY COVER(A)
41	H50-3701	H50-3701	SCREW	91	G94-6801	G94-6801	SCREW
42	H50-3801	H50-3801	COVER(A)	92	H50-6201	H50-6201	CAP
43	H50-3901	H50-3901	SCREW	93	H50-5502	H50-5502	HANDLE ASSEMBLY
44	H25-5001	H25-5001	O-RING	200	375-3005	375-3005	HANDLE KNOB WASHER
45	H50-2301	H50-2301	CLUTCH RING	201	G46-6204	G46-6204	HANDLE KNOB BALL BEARING
46	H50-2902	H50-2902	NUT	202	H50-5902	H50-5902	HANDLE KNOB (GUNMETAL / BLUE)*
47	H62-9701	H62-9701	RING	203	H53-7101	H53-7101	HANDLE KNOB (SILVER)
48	H53-5301	H53-5301	MAGNET AS	204	E45-4003	E45-4003	HANDLE KNOB SCREW
49	H50-2601	H50-2601	O-RING	205	H53-7201	H53-7201	HANDLE KNOB O-RING
50	F76-5401	F76-5401	ONEWAY CLUTCH	206	H50-6101	H50-6101	HANDLE KNOB SCREW
51	F19-7302	F19-7302	WASHER				