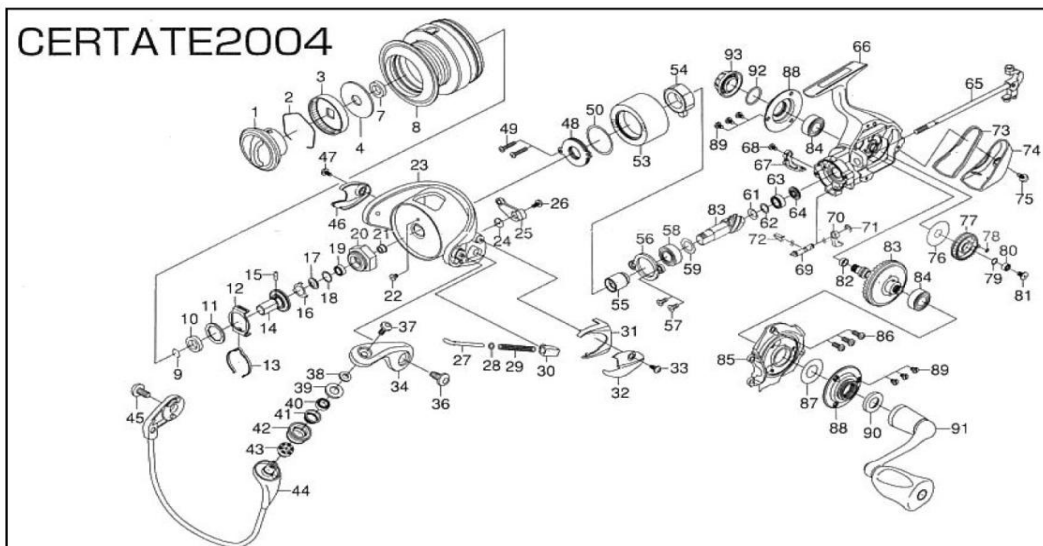


10 CERTATE 2004



KEY NO.	PART NO.	PART DESCRIPTION	KEY NO.	PART NO.	PART DESCRIPTION
1	6H445701	DRAG KNOB	47	6H431301	SCREW
2	6F742501	DRAG RETAINER	48	6H532601	MAGNET ASSEMBLY
3	6F908701	CLICK PLATE	49	6H413201	SCREW
4	6F731901	DRAG WASHER	50	6H413001	O RING
7	6H416301	DRAG COLLAR	53	6H519301	MAGNET CAP
8	6H480001	SPOOL ASSEMBLY	54	6H412601	ROLLER CLUTCH
9	6H472401	RETAINER	55	6H412501	SPACING SLEEVE
10	6H416301	SPOOL METAL COLLAR	56	6H411501	BEARING PLATE
11	6H416201	SPOOL WASHER	57	6E134501	SCREW
12	6H416001	CLICK HOLDER	58	6G535101	BEARING
13	6H416101	CLICK LEAF SPRING	59	6H411401	WASHER
14	6H415901	SPOOL METAL	61	6H411301	SPRING WASHER
15	6G375001	PIN	62	6E096501	WASHER
16	6H415801	ROTOR NUT PLATE	63	6G538001	BEARING
17	6H415701	PACKING	64	6H411201	PINION COLLAR
18	6G466103	WASHER	65	6H478701	MAIN SHAFT
19	6G466204	BEARING	66	6H409801	BODY
20	6H444501	ROTOR NUT	67	6H479101	KICK COLLAR
21	6H415501	COLLAR	68	6H445401	SCREW
22	6H022701	SCREW	69	6H410001	STOPPER CAM
23	6H443201	ROTOR	70	6H410101	STOPPER LEVER
24	6H443301	KICK LEVER SPRING	71	6B339801	RETAINER
25	6H443401	KICK LEVER	72	6H410201	LEAF SPRING
26	6H417701	SCREW	73	6H413301	REAR COVER PACKING
27	6H443601	SHAFT	74	6H413401	REAR COVER
28	6H576101	PLATE	75	6H512401	SCREW
29	6H442401	SPRING	76	6H441401	WASHER
30	6H414301	SPRING HOLDER	77	6H478601	OSC. GEAR
31	6H443701	COVER (A)	78	6G683301	O RING
32	6H443801	COVER (B)	79	6H129201	WASHER
33	6H431301	SCREW	80	6G469002	BEARING
34	6H414401	BAIL ARM	81	6G940402	SCREW
36	6H431201	SCREW	82	6H455601	DRIVE GEAR RING
37	6H431401	ROLLER SCREW	83	6Z019685	GEAR SET
38	6H415401	COLLAR (A)	84	6G467302	BEARING
39	6H038301	PACKING	85	6H412301	BODY COVER
40	6G686902	LINE ROLLER BEARING	86	6G431001	SCREW
41	6H415301	COLLAR (B)	87	6H412401	WASHER
42	6G686701	LINE ROLLER	88	6H412102	BEARING COVER
43	6H415201	COLLAR (C)	89	6F623305	SCREW
44	6H443901	BAIL WIRE	90	6H417101	HANDLE PACKING
45	6H431201	SCREW	91	6H479201	HANDLE ASSEMBLY
46	6H444301	COVER	92	6G806001	O RING
			93	6H417201	HANDLE CAP