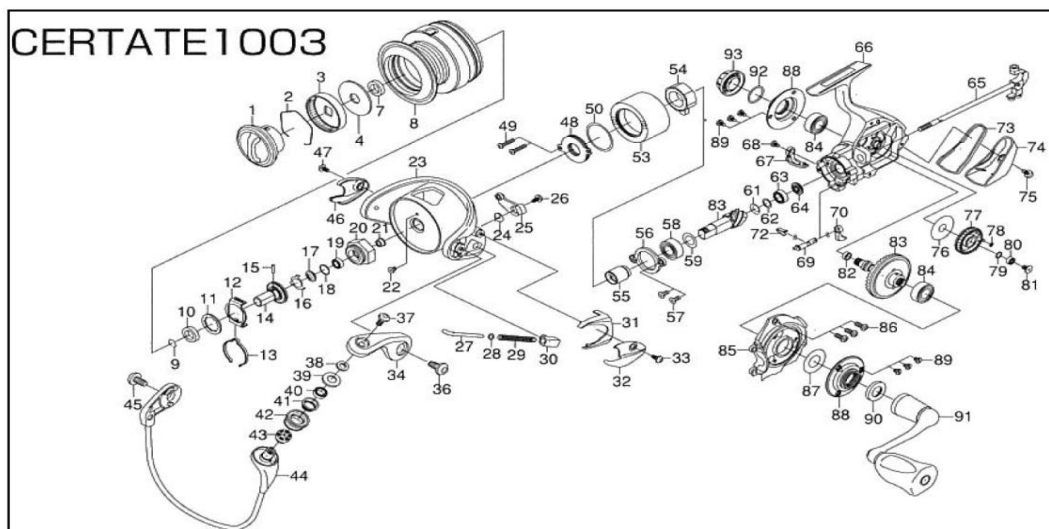


## 10 CERTATE 1003



KEY NO.	PART NO.	PART DESCRIPTION	KEY NO.	PART NO.	PART DESCRIPTION
1	6H445701	DRAG KNOB	47	6H431301	SCREW
2	6F742501	DRAG RETAINER	48	6H532601	MAGNET ASSEMBLY
3	6F908701	CLICK PLATE	49	6H413201	SCREW
4	6F731901	DRAG WASHER	50	6H413001	O RING
7	6H416301	DRAG COLLAR	53	6H519301	MAGNET CAP
8	6H445101	SPOOL ASSEMBLY	54	6H412601	ROLLER CLUTCH
9	6H472401	RETAINER	55	6H412501	SPACING SLEEVE
10	6H416301	SPOOL METAL COLLAR	56	6H442201	BEARING PLATE
11	6H416201	SPOOL WASHER	57	6E134501	SCREW
12	6H416001	CLICK HOLDER	58	6G467301	BEARING
13	6H416101	CLICK LEAF SPRING	59	6H411401	WASHER
14	6H415901	SPOOL METAL	61	6H411301	SPRING WASHER
15	6G375001	PIN	62	6E096501	WASHER
16	6H415801	ROTOR NUT PLATE	63	6G538001	BEARING
17	6H415701	PACKING	64	6H411201	PINION COLLAR
18	6G466103	WASHER	65	6H441701	MAIN SHAFT
19	6G466204	BEARING	66	6H441201	BODY
20	6H444501	ROTOR NUT	67	6H442101	KICK COLLAR
21	6H415501	COLLAR	68	6H455402	SCREW
22	6H022701	SCREW	69	6H410002	STOPPER CAM
23	6H443201	ROTOR	70	6H410101	STOPPER LEVER
24	6H443301	KICK LEVER SPRING	72	6H410201	LEAF SPRING
25	6H443401	KICK LEVER	73	6H443001	REAR COVER PACKING
26	6H417701	SCREW	74	6H443101	REAR COVER
27	6H443601	SHAFT	75	6H512401	SCREW
28	6H576101	PLATE	76	6H441401	WASHER
29	6H442401	SPRING	77	6H441501	OSC. GEAR
30	6H414301	SPRING HOLDER	78	6G898301	O RING
31	6H443701	COVER (A)	79	6H129201	WASHER
32	6H443801	COVER (B)	80	6G469002	BEARING
33	6H431301	SCREW	81	6G940402	SCREW
34	6H414401	BAIL ARM	82	6G736201	O RING
36	6H431201	SCREW	83	6Z019606	GEAR SET
37	6H431401	ROLLER SCREW	84	6G467302	BEARING
38	6H415401	COLLAR (A)	85	6H442901	BODY COVER
39	6H038301	PACKING	86	6G431001	SCREW
40	6G686902	LINE ROLLER BEARING	87	6H440201	WASHER
41	6H415301	COLLAR (B)	88	6H442802	BEARING COVER
42	6G686701	LINE ROLLER	89	6F623305	SCREW
43	6H415201	COLLAR (C)	90	6H417101	HANDLE PACKING
44	6H443901	BAIL WIRE	91	6H444701	HANDLE ASSEMBLY
45	6H431201	SCREW	92	6G806001	O RING
46	6H444301	COVER	93	6H417201	HANDLE CAP